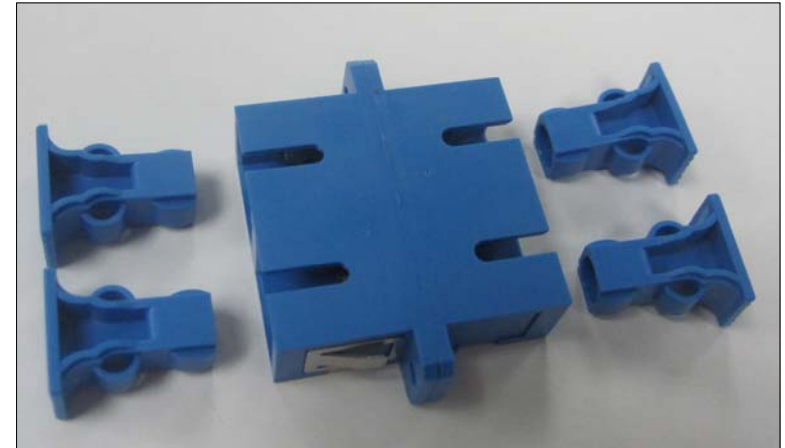
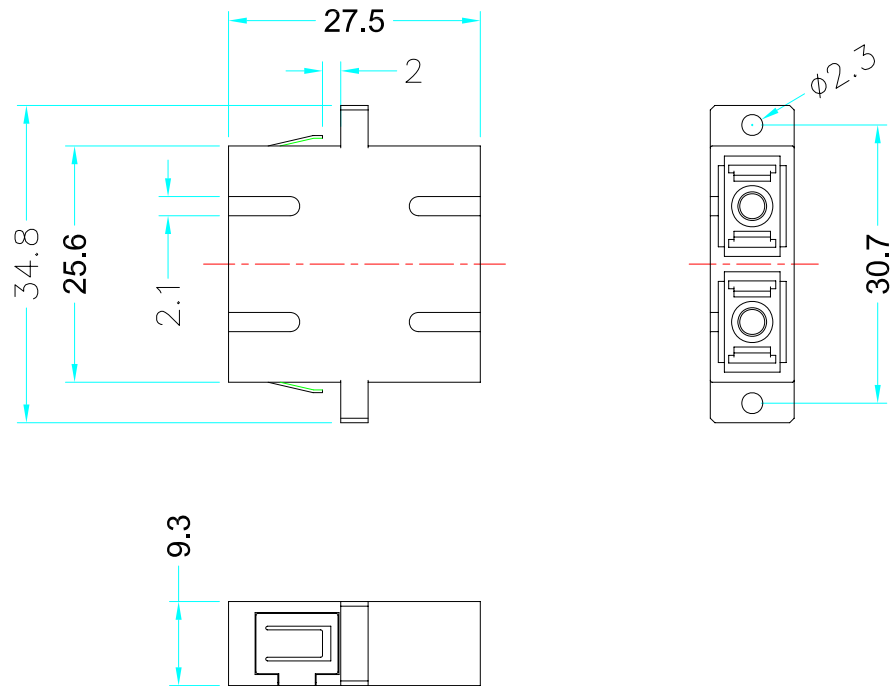


SC Singlemode Duplex Adapter



Specifications:

1. Housing Material: Plastic , Blue
2. Sleeve Material: Ceramic
3. Insertion Loss: <math><0.2\text{dB}@1310\text{nm}</math>
4. Durability(500matings):0.2dB Max.increase
5. RoHS compliant
6. Operating temperature: -25° C~ 70° C
7. Storage temperature:-40° C~80° C
8. With snap-in fixing

RoHS
compliant



EFB

DESCRIPTIONS: SC Singlemode Duplex Adapter

Part No: 53316.3

Drawing No:

Page :1 of 1