

ECO Server Cabinet

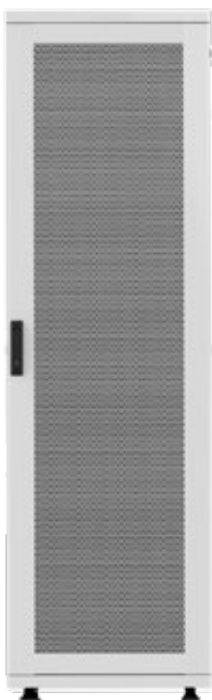
ECO is a cost effective server rack cabinet line designed for cost sensitive customers. It fulfills high density cabling requirements and offers advanced fiber and copper cable management options. A wide range of cable management accessories is available to ensure perfect management of copper, fiber cables and 19" equipment. Flat-pack option enables savings up to 60% in the transport cost and warehouse space.

Technical Features

Material	1-1,2-1,5-2mm Steel
Color	RAL 7035 or RAL 9005
Compliance	RoHS, UL Certified
Packaging	Assembled or unassembled
Maximum Static Load	Up to 600 kg.
Finish	Frame, doors, side panels, top and bottom covers. Electrostatic Powder Paint, 19" mounting rails: Zinc-plated

Standard Configuration

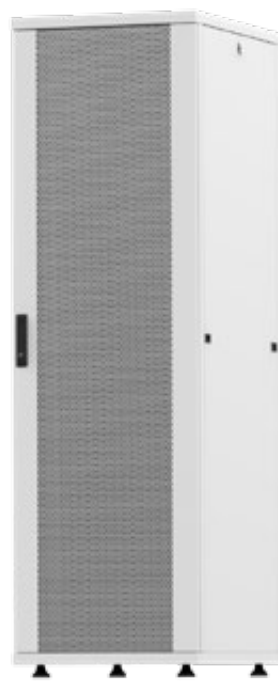
- Perforated front and rear doors, Free Air Ratio (FAR): %65
- Front & rear doors with swing handle Multi point-espagnolette
- Solid Side Panels with cylindrical locks and latches
- Internal top sheet with 1 entry and fan cut-outs
- 2 Pairs of depth adjustable heavy duty 19" Mounting Rails
- 2 Pairs of Adjustable Feet
- Bottom cover with 1 cable entry



Front View



Front View Open

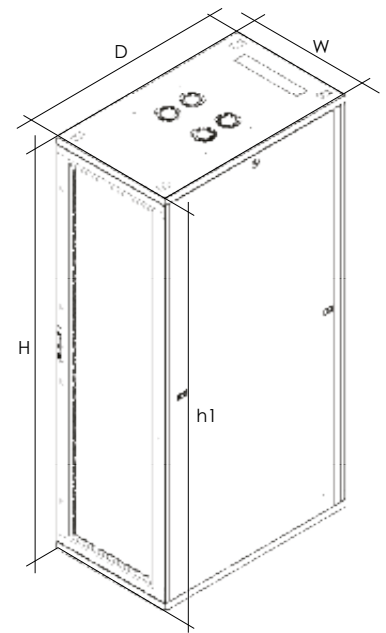
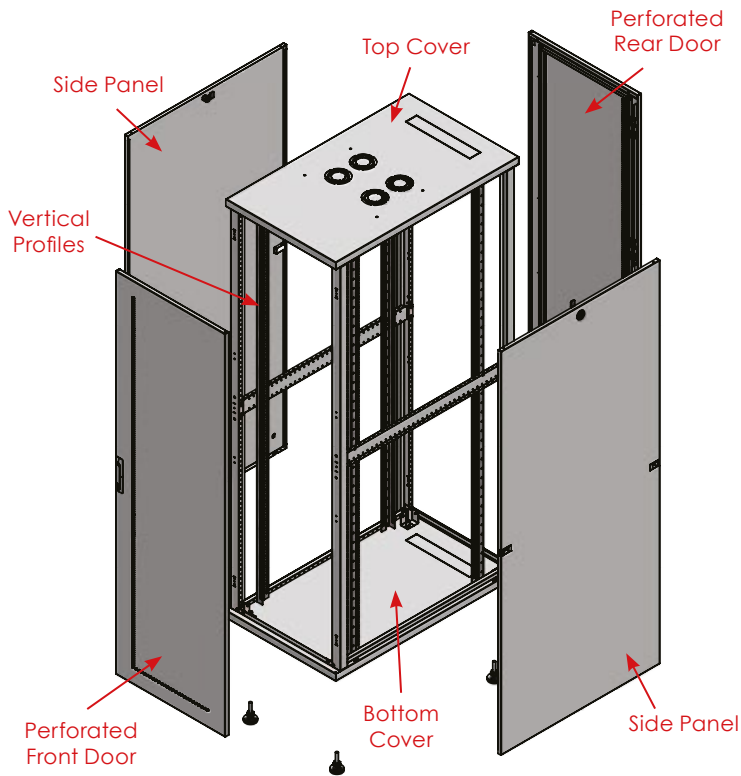
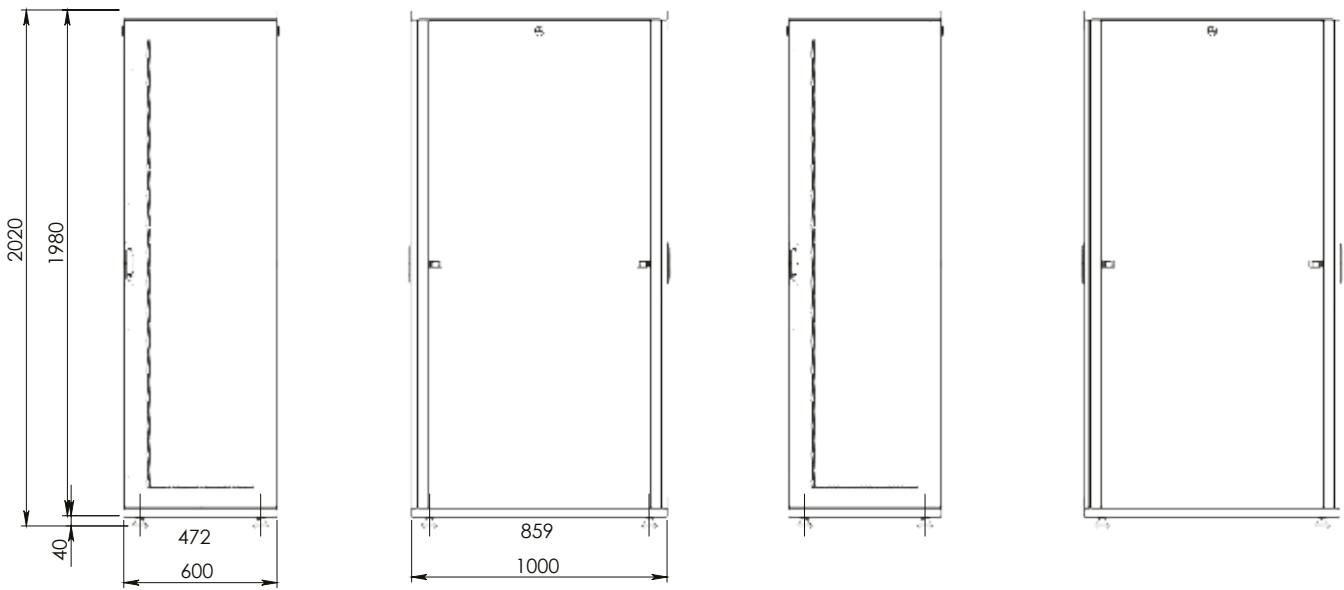


3/4 View



Side View

Technical Drawing



Order Information

Height U	Outer Width (W) mm	Outer Depth (D) mm	Outer Height (H) mm	Inner Width (w1) mm	Inner Depth (d1) mm	Inner Height (h1) mm	19" Rails Adjustable Depth Range (c)	Weight kg	Part No
26U	600	1000	1309	472	835	1269	123 - 773	84,0	CSS-U-X-2660A
36U	600	1000	1753	503	835	1607	123 - 773	104,9	CSS-U-X-3660A
42U	600	1000	2000	503	835	1873	123 - 773	117,2	CSS-U-X-4260A

X (Color code): 7:RAL 7035 Light Grey, 9:RAL 9005 Black