

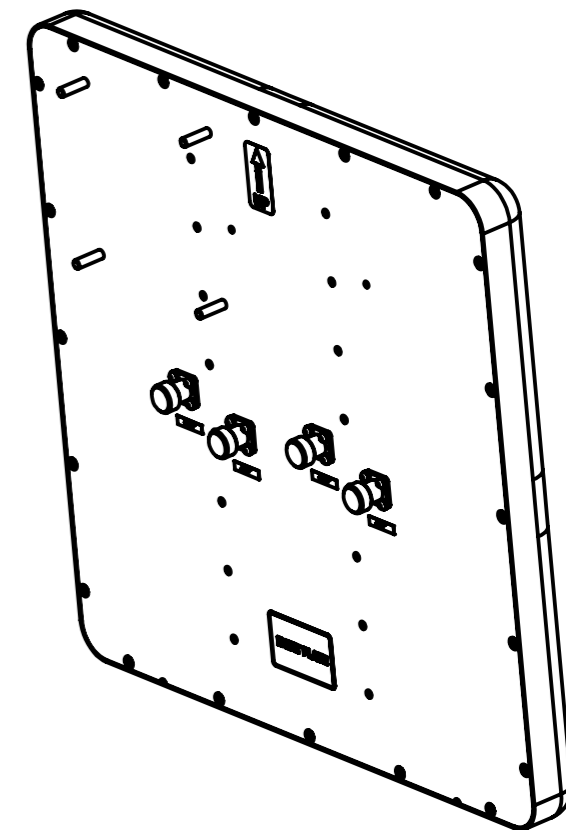
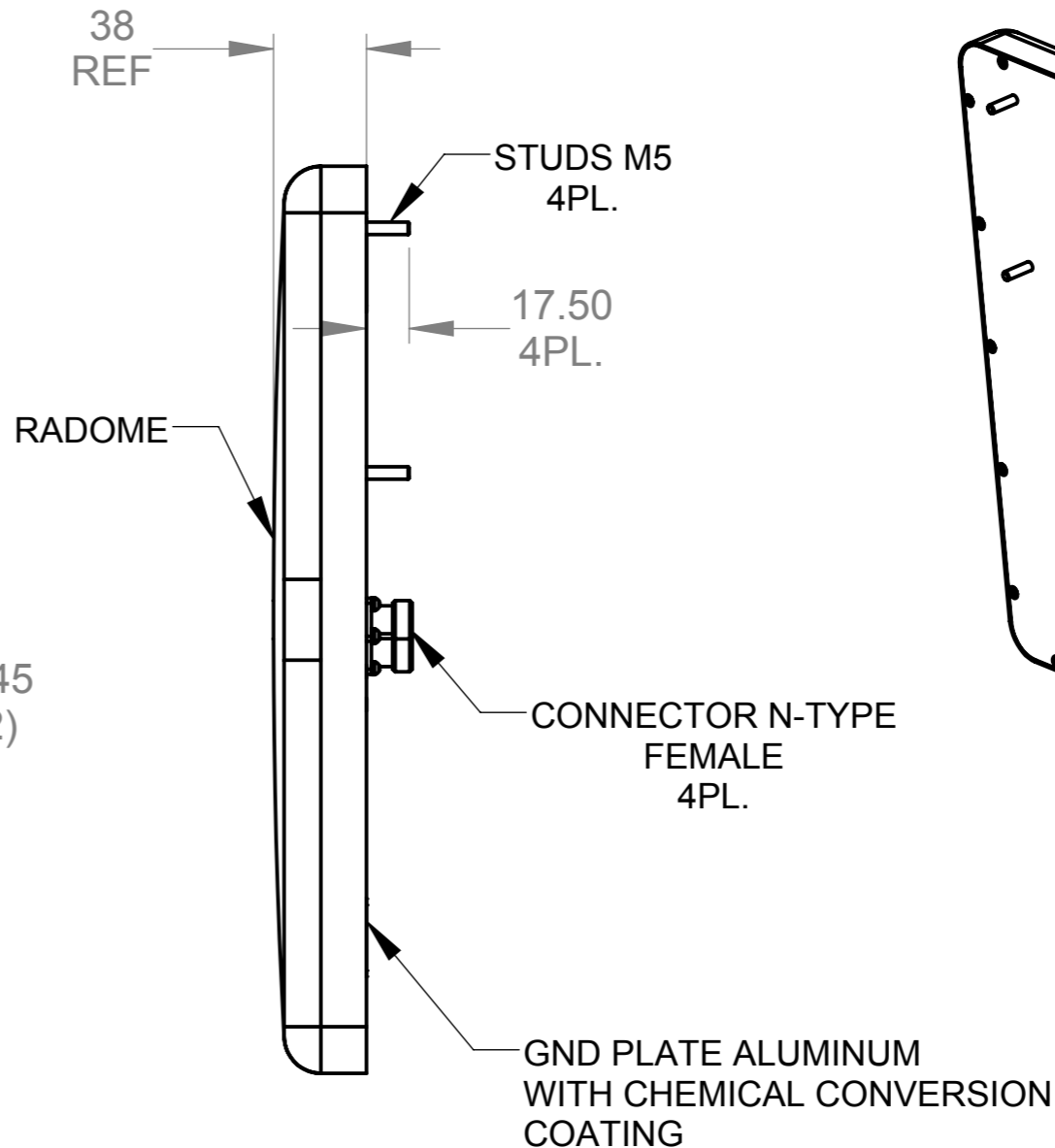
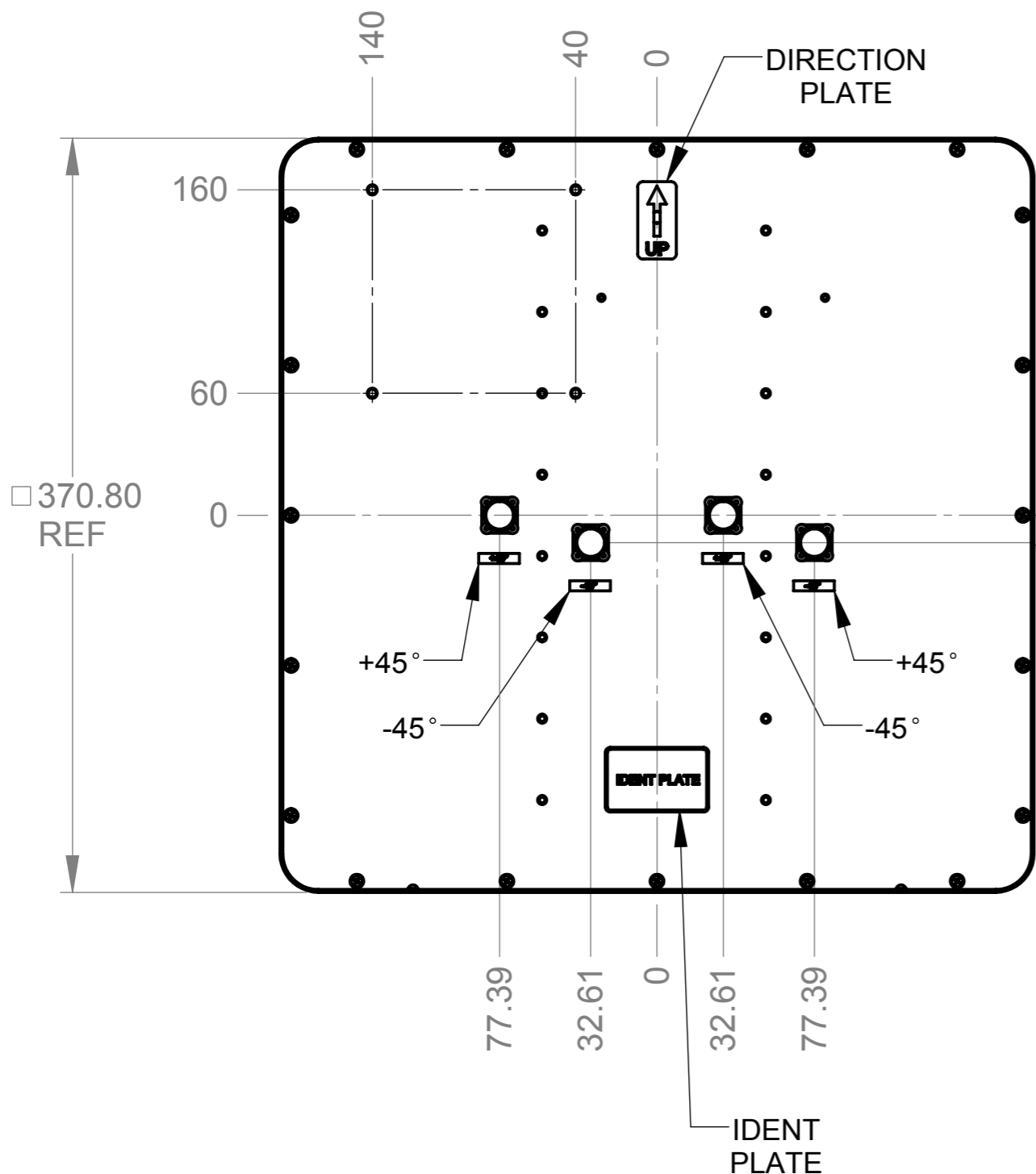
THIS DOCUMENT AND THE INFORMATION CONTAINED IN IT ARE PROPRIETARY AND CONFIDENTIAL TO M.T.I NO PERSON IS ALLOWED TO COPY, REPRINTREPRODUCE OR PUBLISH ANY PART OF THIS DOCUMENT, NOR DISCLOSE ITS CONTENTS TO OTHERS, NOR MAKE ANY USE OF IT, NOR ALLOW OR ASSIST OTHERS TO MAKE ANY USE OF IT - UNLESS BY THE PRIOR WRITTEN EXPRESS AUTHORIZATION OF M.T.I AND THEN ONLY TO EXTENT AUTHORIZED. (C) COPYRIGHT - M.T.I WIRELESS EDGE LTD.

SHEET REVISION STATUS

5	4	3	2	1	SHEET NO
					LATEST REV

REVISIONS

REV.	ECO	DESCRIPTION	DATE	APPROVED



UNLESS OTHERWISE SPECIFIED
DIMENSIONS ARE IN mm
PER ANSI Y14.5M-1982

TOLERANCE
LINEAR: ± 0.2
ANGULAR: ± / °



SURFACE TEXTURE IN MICRO IN.

CONTRACT TO

DWG	Yael	Yael	31.8.14
CHKD			
DSGN			
PROJ	ROSTMY	M.R	31.8.14
MFG			
QA			

Mti WIRELESS EDGE LTD.
ANTENNA 4.9-5.9GHz
MT-464042/ND ICD
 TITLE
 SIZE A3
 DWG NO RD43764300C
 SCALE- 1:3
 SHEET 1 OF 1

MT-464042/ND
NEXT ASSY