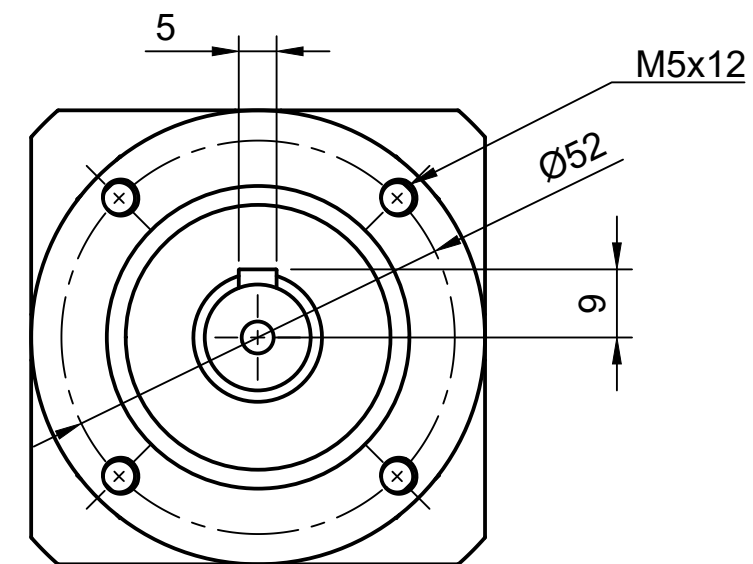


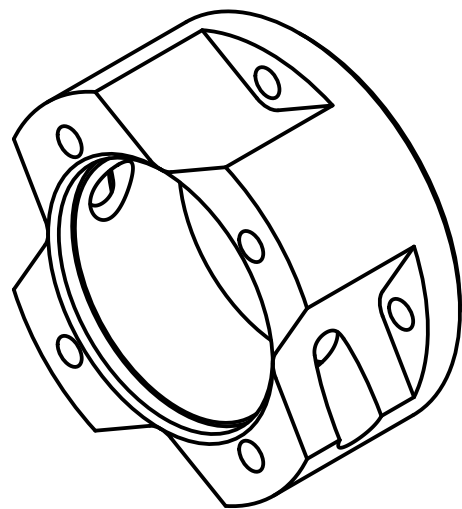
Side view

L1 with 1 Stage	58 mm
L1 with 2 Stage	72 mm
L2 SM-Series	27 mm
L2 SH-Series	25 mm

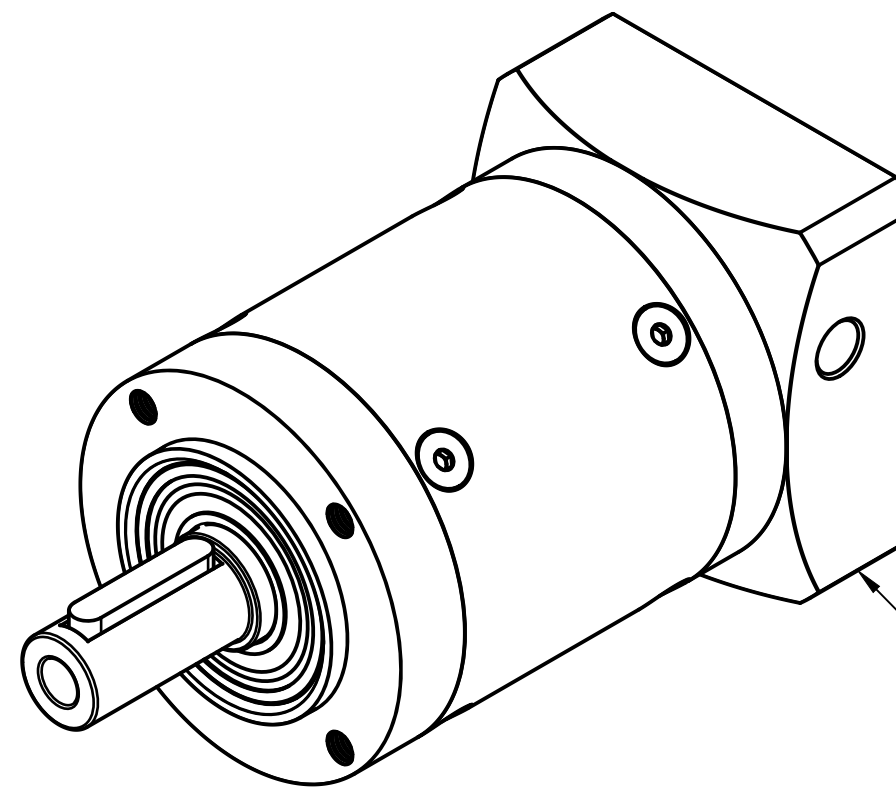
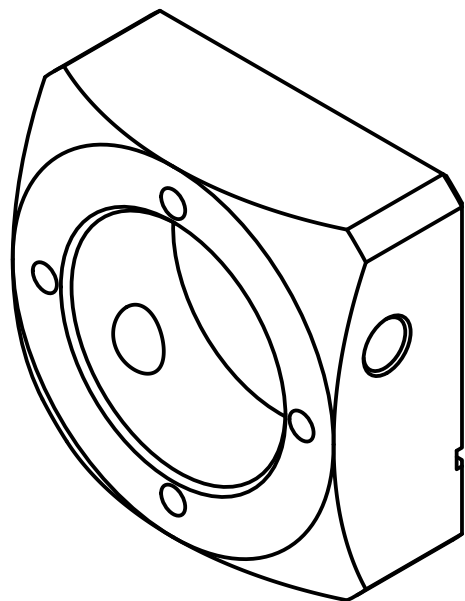


Front view

Round SM-Series adapter



Square SH-Series adapter



Adapter shape depend on motor model

Dept. R&D	Technical reference	Created by Mattias	2018-10-03	Approved by Mattias	2018-10-04
		Document type Drawing	Document status Released		
		Title SM/SH PL60 Gearbox Dimension	DWG No.		
Rev.	Date of issue	Sheet			
1	2018-10-04	1/1			