

LTE SPECIFICATION

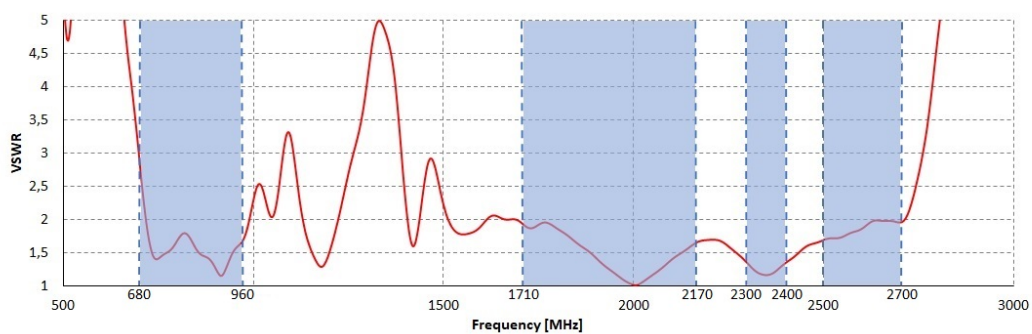
FREQUENCY	0.694-0.96 GHz 1.7 - 2.2 GHz 2.2 - 2.7 GHz
Supported LTE bands	1, 2, 3, 4, 5, 6, 7, 8, 9, 10, 12, 13, 14, 15, 16, 17, 18, 19, 20, 23, 25, 26, 27, 28, 29, 30, 33, 34, 35, 36, 37, 38, 39, 40, 41, 44, 53, 65, 66, 67, 68, 69, 70, 85
GAIN	0.694 - 0.96 GHz : 7 dBi 1.7 - 2.2 GHz : 7 dBi 2.2 - 2.7 GHz : 7 dBi
VSWR	<1.70, max <2.00
BEAMWIDTH	70°/70° ±15°
POLARIZATION	X-Pol
IMPEDANCE	50 Ω

MECHANICAL SPECIFICATION

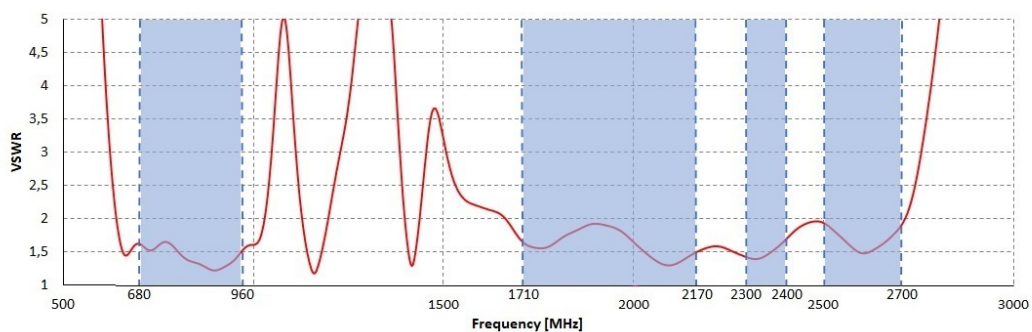
MATERIALS	ABS, aluminum, Fiberglass, galvanized steel
INGRESS PROTECTION	IP67
DIMENSIONS	272 x 276 x 96 mm 10.71 x 10.87 x 3.78 inch
WEIGHT	1.8 kg 3.97 lbs
OPERATING TEMPERATURE	From -40°C to 75°C From -40°F to 167°F

VSWR

Port 1

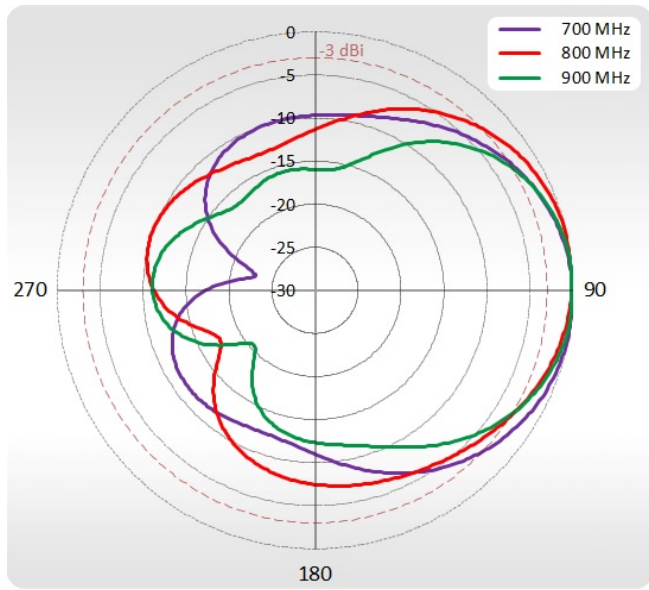


Port 2

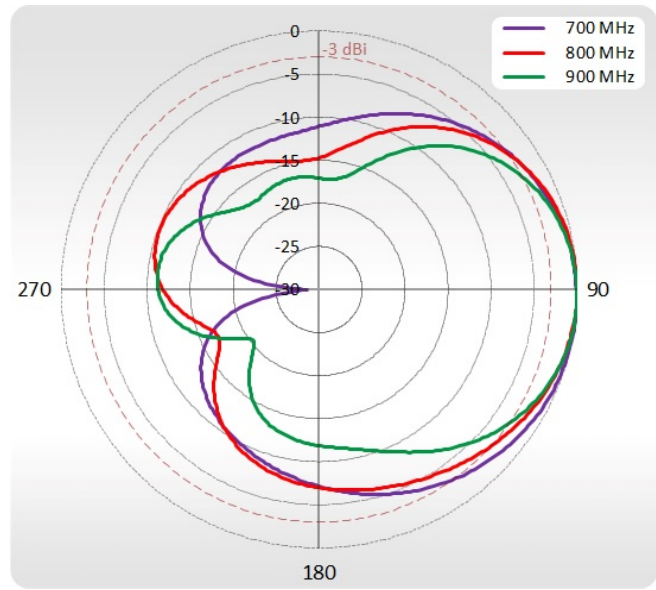


PLOTS

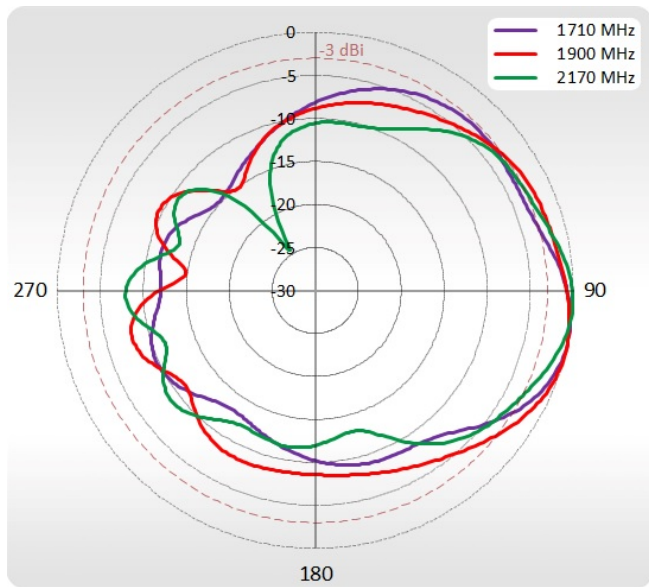
Port 1, 700-900 MHz Azimuth



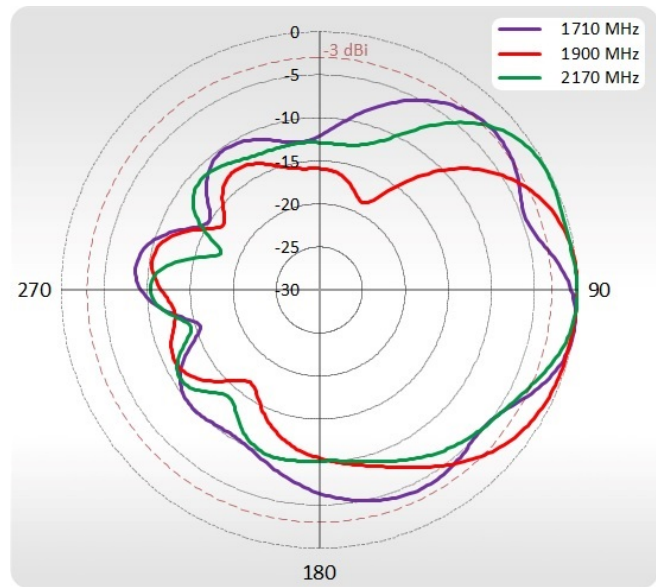
Port 1, 700-900 MHz Elevation



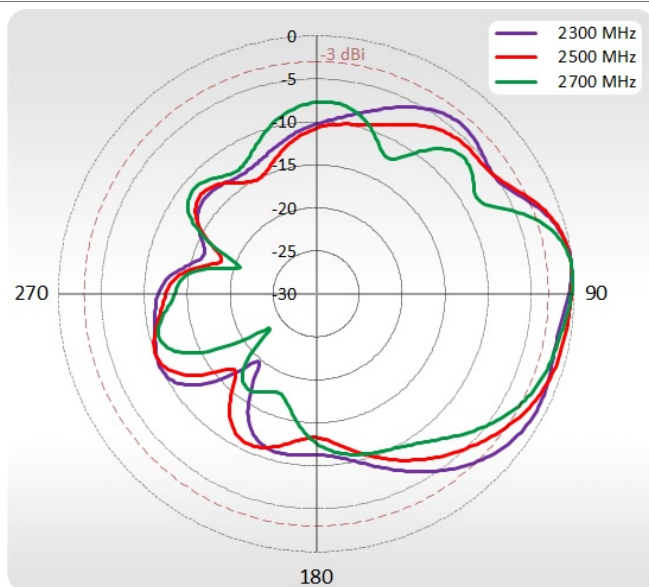
Port 1, 1710-2170 MHz Azimuth



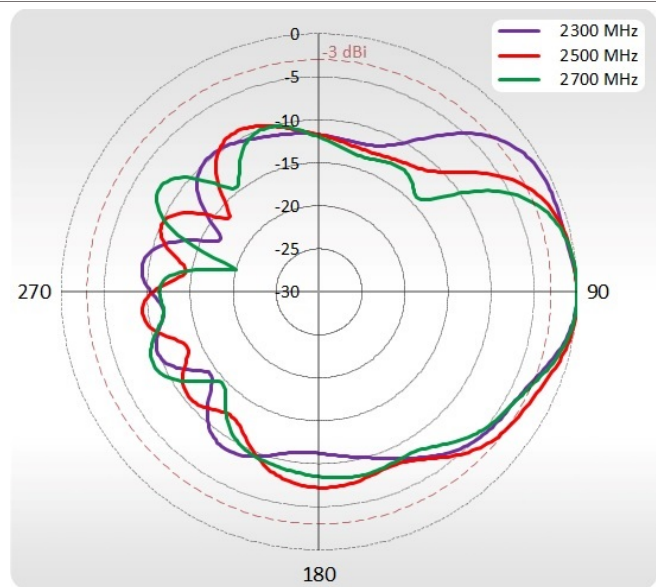
Port 1, 1710-2170 MHz Elevation



Port 1, 2300-2700 MHz Azimuth

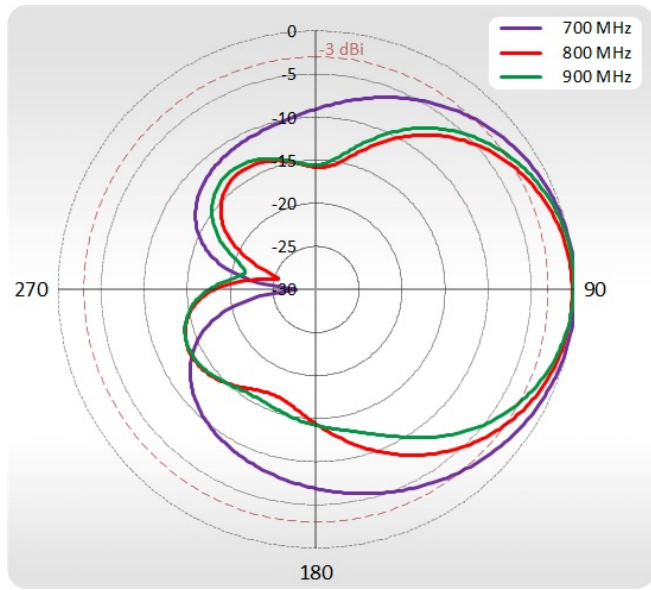


Port 1, 2300-2700 MHz Elevation

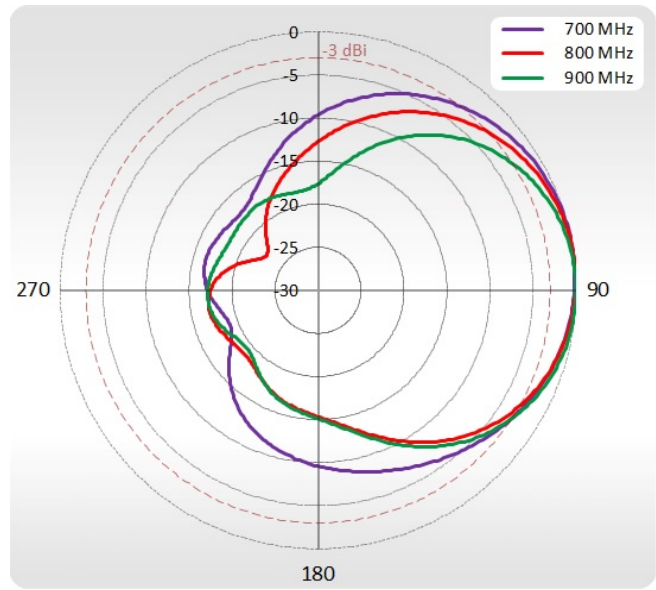


PLOTS

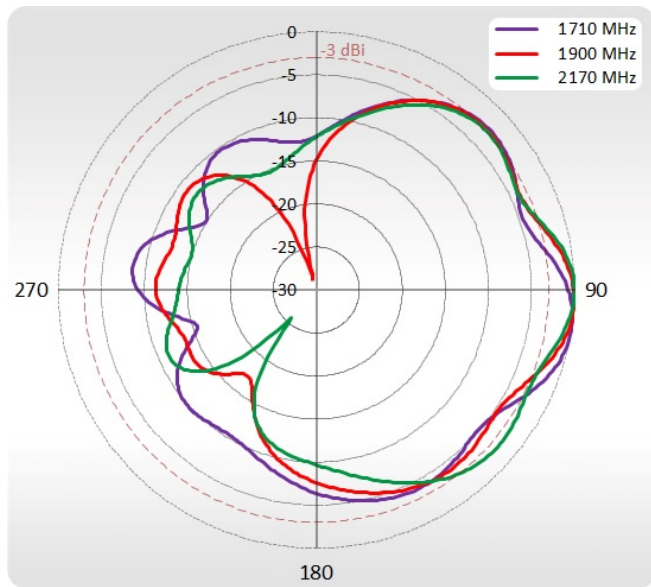
Port 2, 700-900 MHz Azimuth



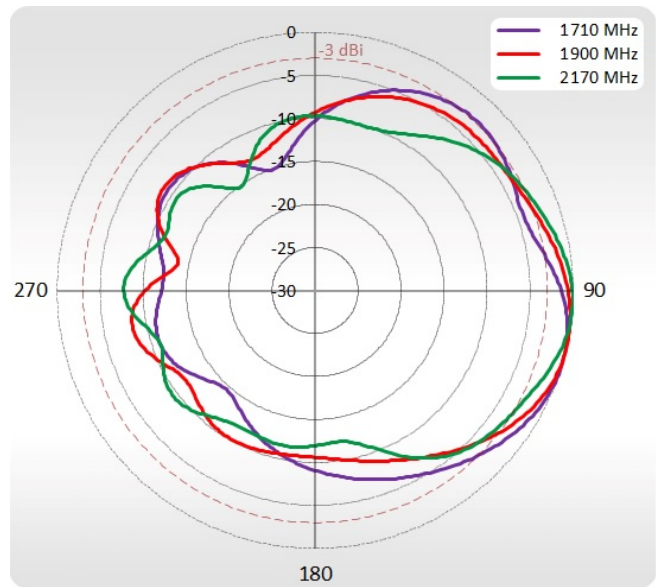
Port 2, 700-900 MHz Elevation



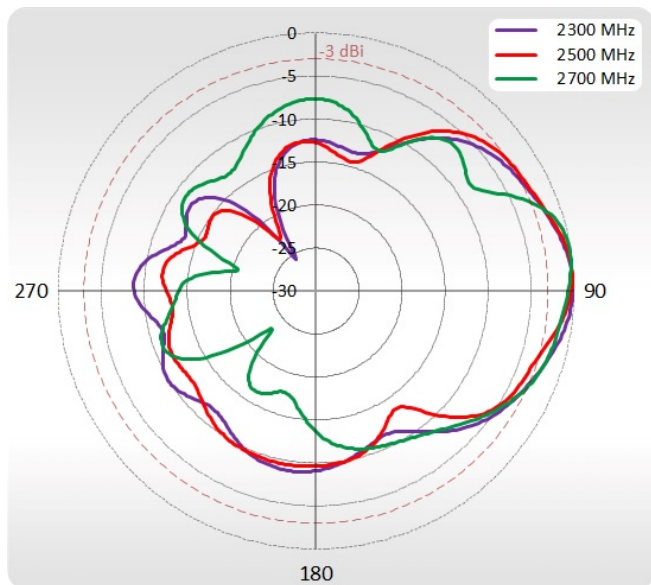
Port 2, 1710-2170 MHz Azimuth



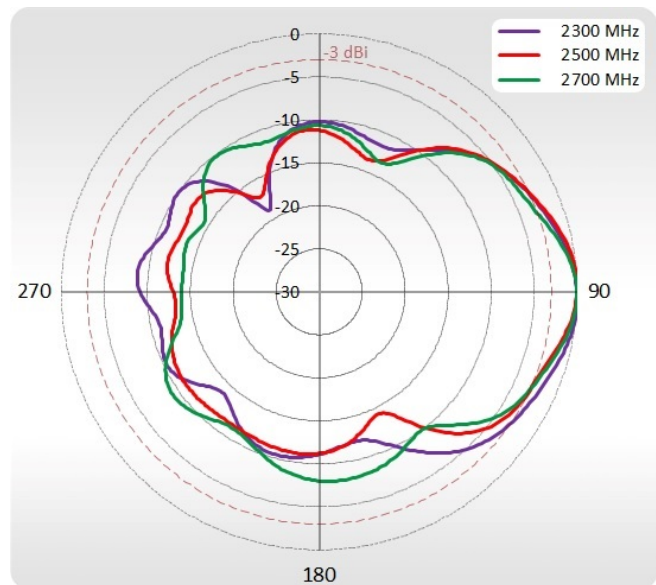
Port 2, 1710-2170 MHz Elevation



Port 2, 2300-2700 MHz Azimuth



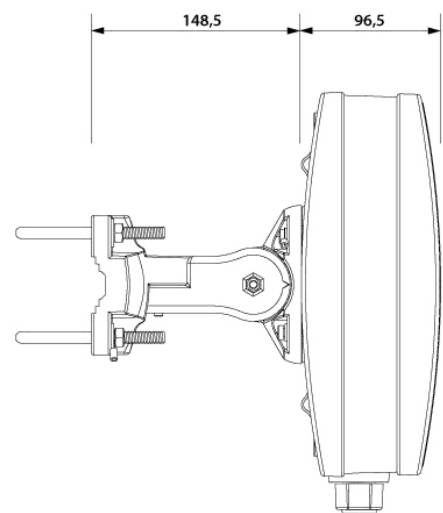
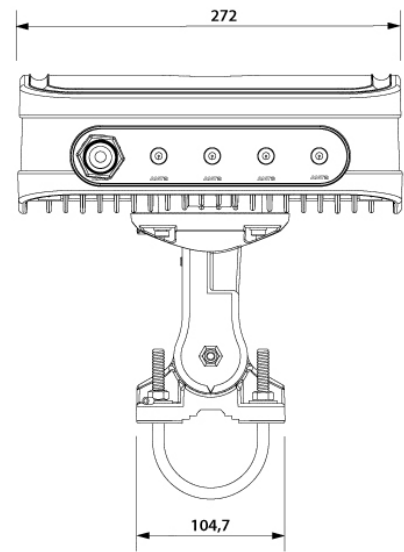
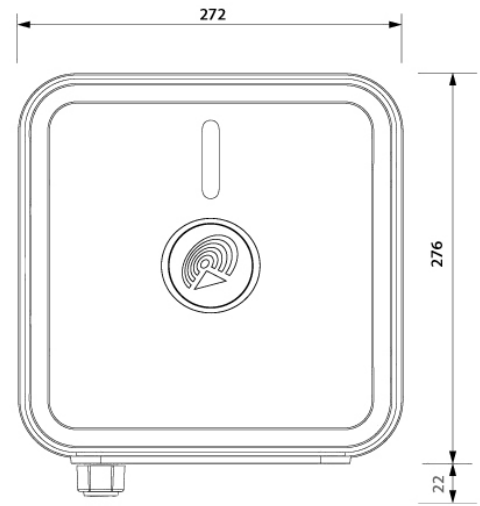
Port 2, 2300-2700 MHz Elevation



PHOTOS



DIMENSIONS



HEADQUARTER:

Wireless Instruments sp. z o.o.

ul. Kościuszki 27

52-116 Iwiny

POLAND

sales@quwireless.com

tel 1. +48 601 366 369

tel 2. +48 577 667 761

www.quwireless.com