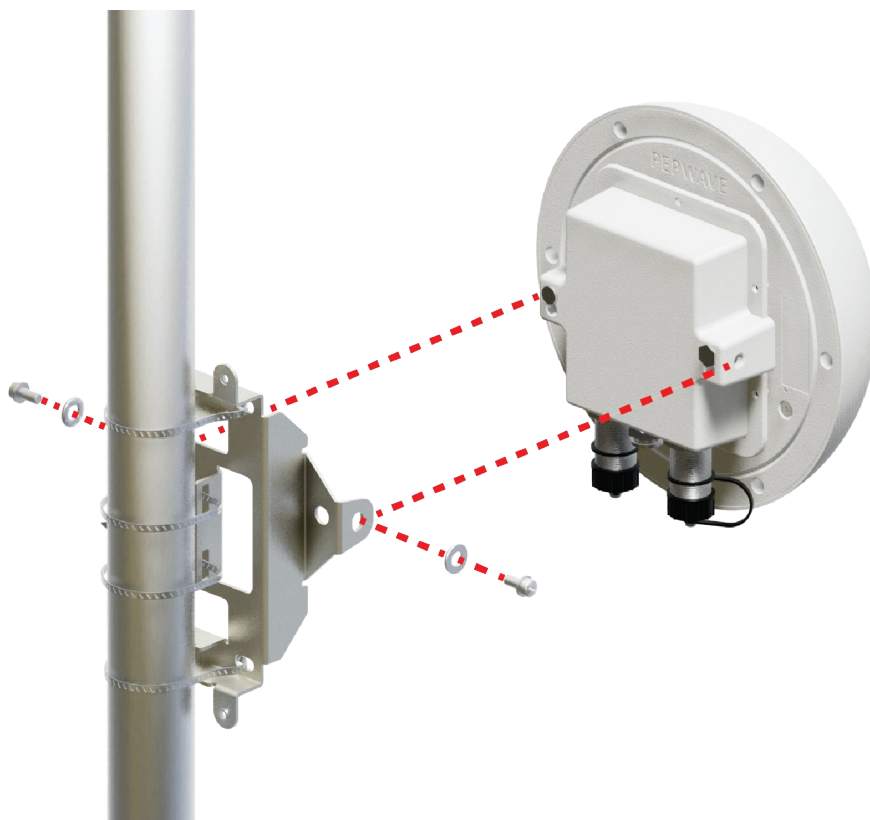
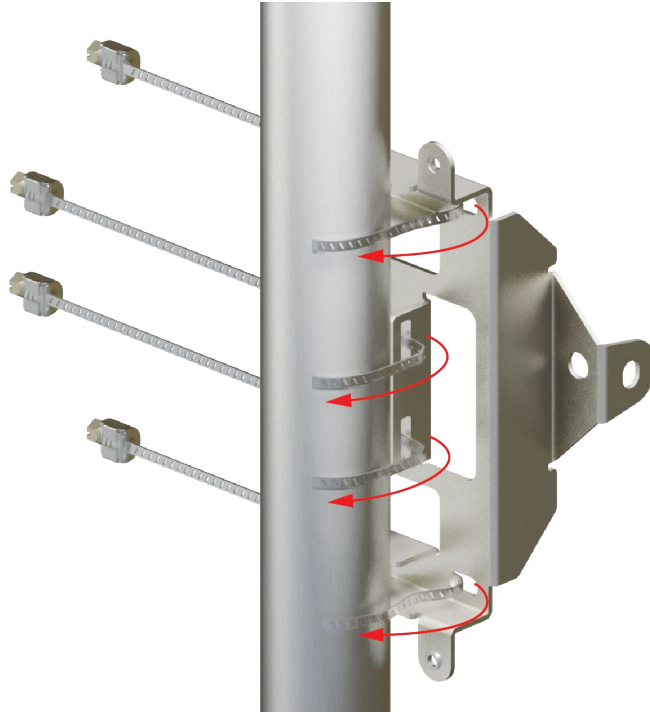
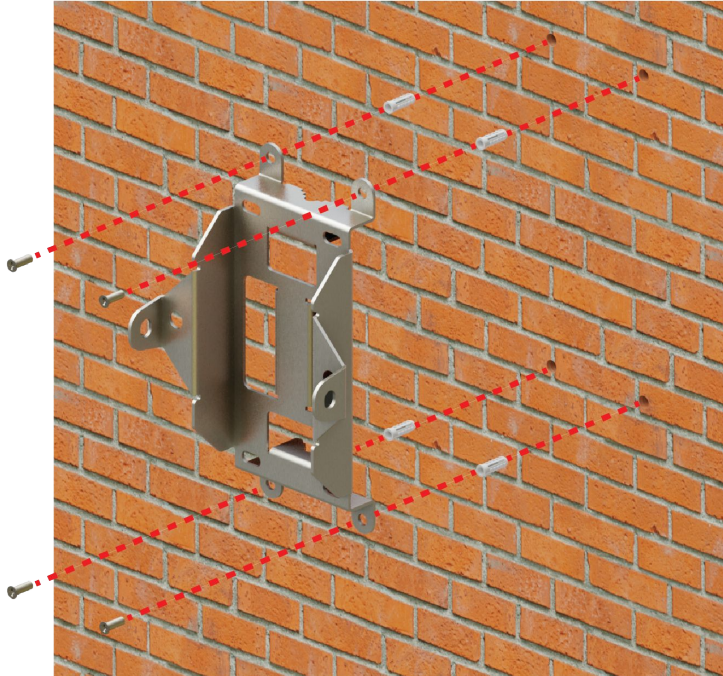


Pole Mount**Steps:**

1. Detach the unit underneath the dome by removing the screws.
2. Plug in the LAN wire to the single Ethernet port within the threaded screw.
3. With the M35 screw mount, it can mount at the end of a pole or on a rooftop.
4. Tighten the screw mount and make sure it is secure.

Pole Mount**Steps:**

1. Position the mounting unit to the pole.
2. Wrap the metal strip through the mounting unit and around the pole. Tighten the strips to secure mounting unit to the pole.
3. Position the HD2 Dome to the mounting unit.
4. Place a washer in between each screw and hole on the mounting unit.
5. Tighten the screws into the back of the dome.

Wall Mount**Steps:**

1. Drill four holes into the wall according to the position of the holes on the mounting unit.
2. Insert wall plugs into each of the drilled holes.
3. Align the mounting unit with the drilled holes.
4. Secure the mounting unit to the wall with four screws.
5. Place a washer in between each screw and hole on the mounting unit.
6. Tighten the screws into the back of the dome

