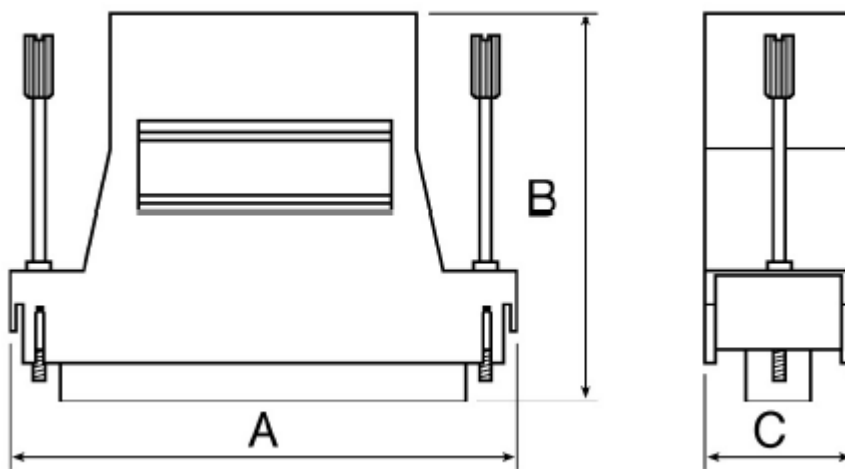


## Datasheet

# 8 way RJ45 to 25 way D plug data adaptor

RS Stock [818-716](#)

Dimensions: mm



### Dimensions (in mm) - 9, 15 & 25 Ways

	9	15	25
<b>A</b>	32	49	15.5
<b>B</b>	41	39	15.5
<b>C</b>	55	39	15.5

## Specifications

Adaptors supplied complete with connector unwired.

Depth: 39mm

Interface Type: 25 way D-sub, RJ45

Length: 15mm

Type: Adapter

Width: 55.1mm