

WTC SERIES NEW COM-BOX WALL TYPE CABINET



COM-BOX

Mirsan, with the new COM-BOX series gives a new angle to the understanding of the wall-type cabinet. New Series; design, advanced structural advantages, ease of use of the most importantly with the advantage of unbeatable price advantage has provided superior.



CAPACITY and VARIETY

The new COM-BOX wall type cabinets have a loading capacity of 80 kg when mounted on the wall. 2 pieces rails are used in D=450mm cabinets while 4 pieces of rails are used in D=600mm cabinets. The new COM-BOX has the width of 565mm and depths of 450mm and 600mm. The size alternatives are offered as 6U, 7U, 9U, 12U, 16U and 20U.

C U S T O M I Z E Y O U R O W N C O L O R
C O S T L O W I S E A O B O M I C O F O B



White



Black



Black & White



White & Black



Black & Red



Red & White

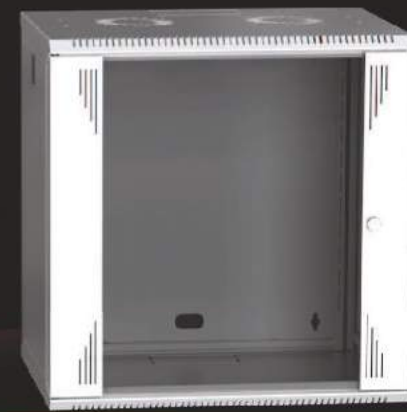
With the new COM-BOX, you can determine your own color and make it suitable for your location.



6U

7U

9U



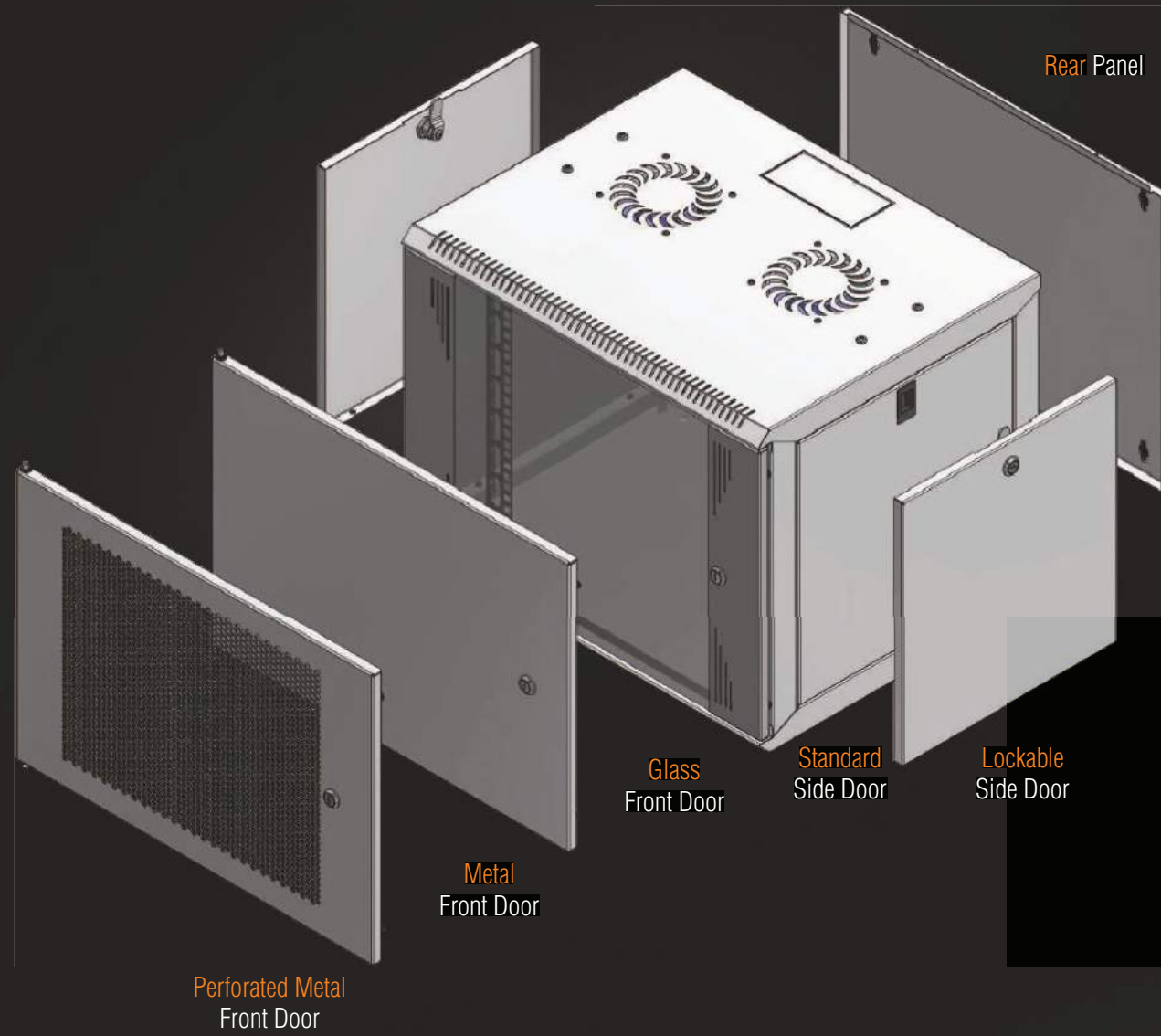
12U



16U



20U



DOORS

Removable and lockable side panels of the new COM-BOX wall type cabinets offers easy access. Glass front door with special slotted design metal frame presents a modern view.



WALL MOUNTING

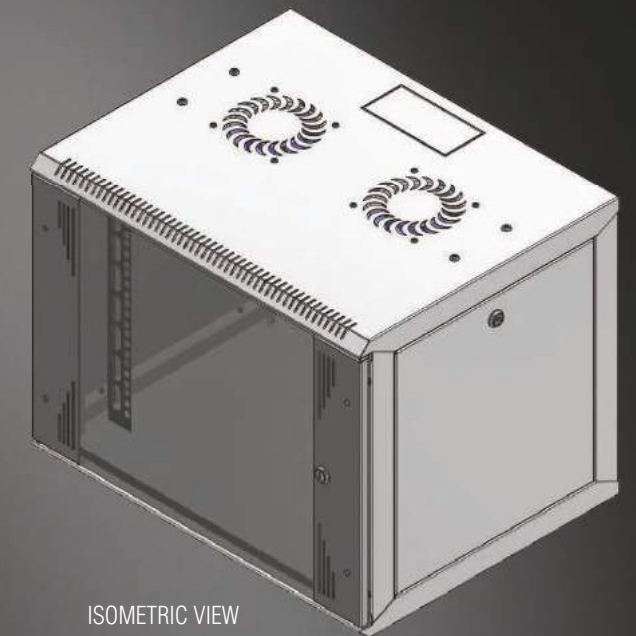
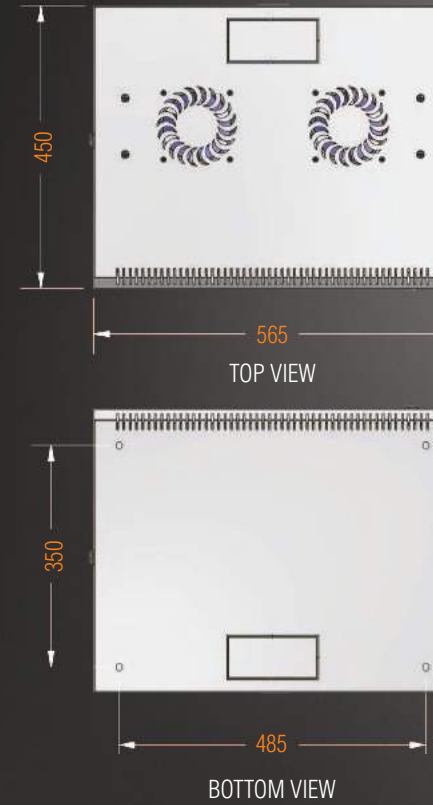
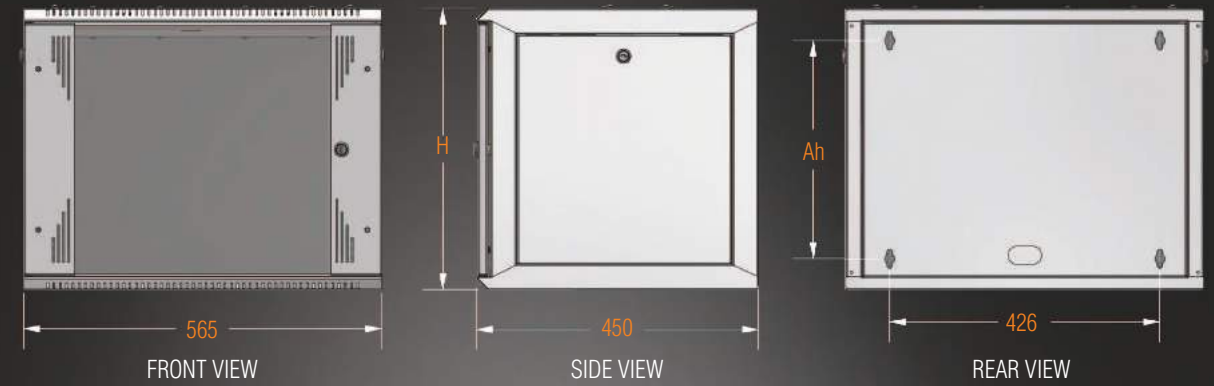
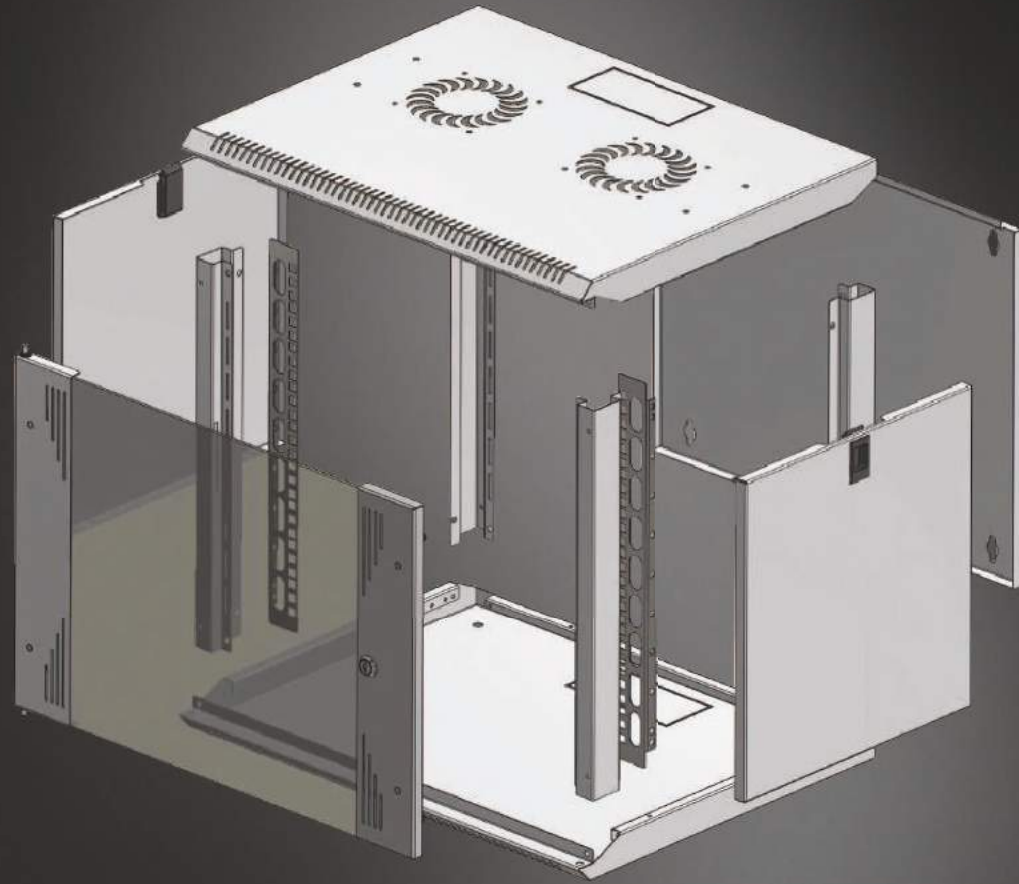
After mounting the rear panel of the cabinet on the wall with 4 screws, it is easy to hang and mount the cabinet.

MODULAR STRUCTURE

All unassembled COM-BOX cabinets are delivered in single packs offering protection for the transport.

UNASSEMBLED COST ADVANTAGE

With unassembled delivery option, the cabinet provides 75% space saving ensuring 75% transport and stock advantage.



COM-BOX WALL TYPE UNASSEMBLED CABINETS W=565mm D=450mm

Product Code	Product Description	U Measurement (U)	Product Dimensions WxDxH (mm)	Width: Between Rails (mm)	Ah Wall Mounting Hole Gaps (mm)	h Measurement (mm)	Package Dimensions WxDxH (mm)	Number in the Package (pcs)	Product Net Weight (kg)	Product Gross Weight (kg)	Number on Pallet (pcs)	Pallet Dimensions WxDxH (mm)	Pallet Weight (kg)	DEPTH: Between rail and rear panel (mm)
MR.WTC06U45DE.XX	6U W=565mm D=450mm Demonte COM-BOX	6U	565x450x310	19"	212	300	585x470x330	1	10,0	11,5	20	1200x1300x2400	436	443
MR.WTC07U45DE.XX	7U W=565mm D=450mm Demonte COM-BOX	7U	565x450x355	19"	256	345	585x470x375	1	12,0	13,5	20	1200x1300x2400	436	443
MR.WTC09U45DE.XX	9U W=565mm D=450mm Demonte COM-BOX	9U	565x450x445	19"	345	435	585x470x465	1	15,0	16,5	16	1200x1300x2280	390	443
MR.WTC12U45DE.XX	12U W=565mm D=450mm Demonte COM-BOX	12U	565x450x580	19"	479	568	585x470x600	1	19,9	21,4	12	1200x1300x2150	350	443
MR.WTC16U45DE.XX	16U W=565mm D=450mm Demonte COM-BOX	16U	565x450x755	19"	657	746	585x470x775	1	26,5	28,0	10	1200x1300x2450	346	443
MR.WTC20U45DE.XX	20U W=565mm D=450mm Demonte COM-BOX	20U	565x450x935	19"	835	924	585x470x955	1	33,2	34,7	8	1200x1300x2250	322	443

COM-BOX WALL TYPE UNASSEMBLED CABINETS W=565mm D=600mm

Product Code	Product Description	U Measurement (U)	Product Dimensions WxDxH (mm)	Width: Between Rails (mm)	Ah Wall Mounting Hole Gaps (mm)	h Measurement (mm)	Package Dimensions WxDxH (mm)	Number in the Package (pcs)	Product Net Weight (kg)	Product Gross Weight (kg)	Number on Pallet (pcs)	Pallet Dimensions WxDxH (mm)	Pallet Weight (kg)	DEPTH: Between rail and rear panel (mm)
MR.WTC06U60DE.XX	6U W=565mm D=600mm Demonte COM-BOX	6U	565x600x310	19"	212	300	585x620x330	1	13,5	15,0	20	1200x1300x2400	436	593
MR.WTC07U60DE.XX	7U W=565mm D=600mm Demonte COM-BOX	7U	565x600x355	19"	256	345	585x620x375	1	15,5	17,0	20	1200x1300x2400	436	593
MR.WTC09U60DE.XX	9U W=565mm D=600mm Demonte COM-BOX	9U	565x600x445	19"	345	435	585x620x465	1	18,5	20,0	16	1200x1300x2280	390	593
MR.WTC12U60DE.XX	12U W=565mm D=600mm Demonte COM-BOX	12U	565x600x580	19"	479	568	585x620x600	1	23,4	24,9	12	1200x1300x2150	350	593
MR.WTC16U60DE.XX	16U W=565mm D=600mm Demonte COM-BOX	16U	565x600x755	19"	657	746	585x620x775	1	30,0	31,5	10	1200x1300x2450	346	593
MR.WTC20U60DE.XX	20U W=565mm D=600mm Demonte COM-BOX	20U	565x600x935	19"	835	924	585x620x955	1	36,7	38,2	8	1200x1300x2250	322	593

COM-BOX WALL TYPE ASSEMBLED CABINETS W=565mm D=450mm

Product Code	Product Description	U Measurement (U)	Product Dimensions WxDxH (mm)	Width: Between Rails (mm)	Ah Wall Mounting Hole Gaps (mm)	h Measurement (mm)	Package Dimensions WxDxH (mm)	Number in the Package (pcs)	Product Net Weight (kg)	Product Gross Weight (kg)	Number on Pallet (pcs)	Pallet Dimensions WxDxH (mm)	Pallet Weight (kg)	DEPTH: Between rail and rear panel (mm)
MR.WTC06U45MN.XX	6U W=565mm D=450mm Montaji COM-BOX	6U	565x450x310	19"	212	300	585x470x330	1	10,0	11,5	20	1200x1300x2400	436	443
MR.WTC07U45MN.XX	7U W=565mm D=450mm Montaji COM-BOX	7U	565x450x355	19"	256	345	585x470x375	1	12,0	13,5	20	1200x1300x2400	436	443
MR.WTC09U45MN.XX	9U W=565mm D=450mm Montaji COM-BOX	9U	565x450x445	19"	345	435	585x470x465	1	15,0	16,5	16	1200x1300x2280	390	443
MR.WTC12U45MN.XX	12U W=565mm D=450mm Montaji COM-BOX	12U	565x450x580	19"	479	568	585x470x600	1	19,9	21,4	12	1200x1300x2150	350	443
MR.WTC16U45MN.XX	16U W=565mm D=450mm Montaji COM-BOX	16U	565x450x755	19"	657	746	585x470x775	1	26,5	28,0	10	1200x1300x2450	346	443
MR.WTC20U45MN.XX	20U W=565mm D=450mm Montaji COM-BOX	20U	565x450x935	19"	835	924	585x470x955	1	33,2	34,7	8	1200x1300x2250	322	443

COM-BOX WALL TYPE ASSEMBLED CABINETS W=565mm D=600mm

Product Code	Product Description	U Measurement (U)	Product Dimensions WxDxH (mm)	Width: Between Rails (mm)	Ah Wall Mounting Hole Gaps (mm)	h Measurement (mm)	Package Dimensions WxDxH (mm)	Number in the Package (pcs)	Product Net Weight (kg)	Product Gross Weight (kg)	Number on Pallet (pcs)	Pallet Dimensions WxDxH (mm)	Pallet Weight (kg)	DEPTH: Between rail and rear panel (mm)
MR.WTC06U60MN.XX	6U W=565mm D=600mm Montaji COM-BOX	6U	565x600x310	19"	212	300	585x620x330	1	13,5	15,0	20	1200x1300x2400	436	593
MR.WTC07U60MN.XX	7U W=565mm D=600mm Montaji COM-BOX	7U	565x600x355	19"	256	345	585x620x375	1	15,5	17,0	20	1200x1300x2400	436	593
MR.WTC09U60MN.XX	9U W=565mm D=600mm Montaji COM-BOX	9U	565x600x445	19"	345	435	585x620x465	1	18,5	20,0	16	1200x1300x2280	390	593
MR.WTC12U60MN.XX	12U W=565mm D=600mm Montaji COM-BOX	12U	565x600x580	19"	479	568	585x620x600	1	23,4	24,9	12	1200x1300x2150	350	593
MR.WTC16U60MN.XX	16U W=565mm D=600mm Montaji COM-BOX	16U	565x600x755	19"	657	746	585x620x775	1	30,0	31,5	10	1200x1300x2450	346	593
MR.WTC20U60MN.XX	20U W=565mm D=600mm Montaji COM-BOX	20U	565x600x935	19"	835	924	585x620x955	1	36,7	38,2	8	1200x1300x2250	322	593