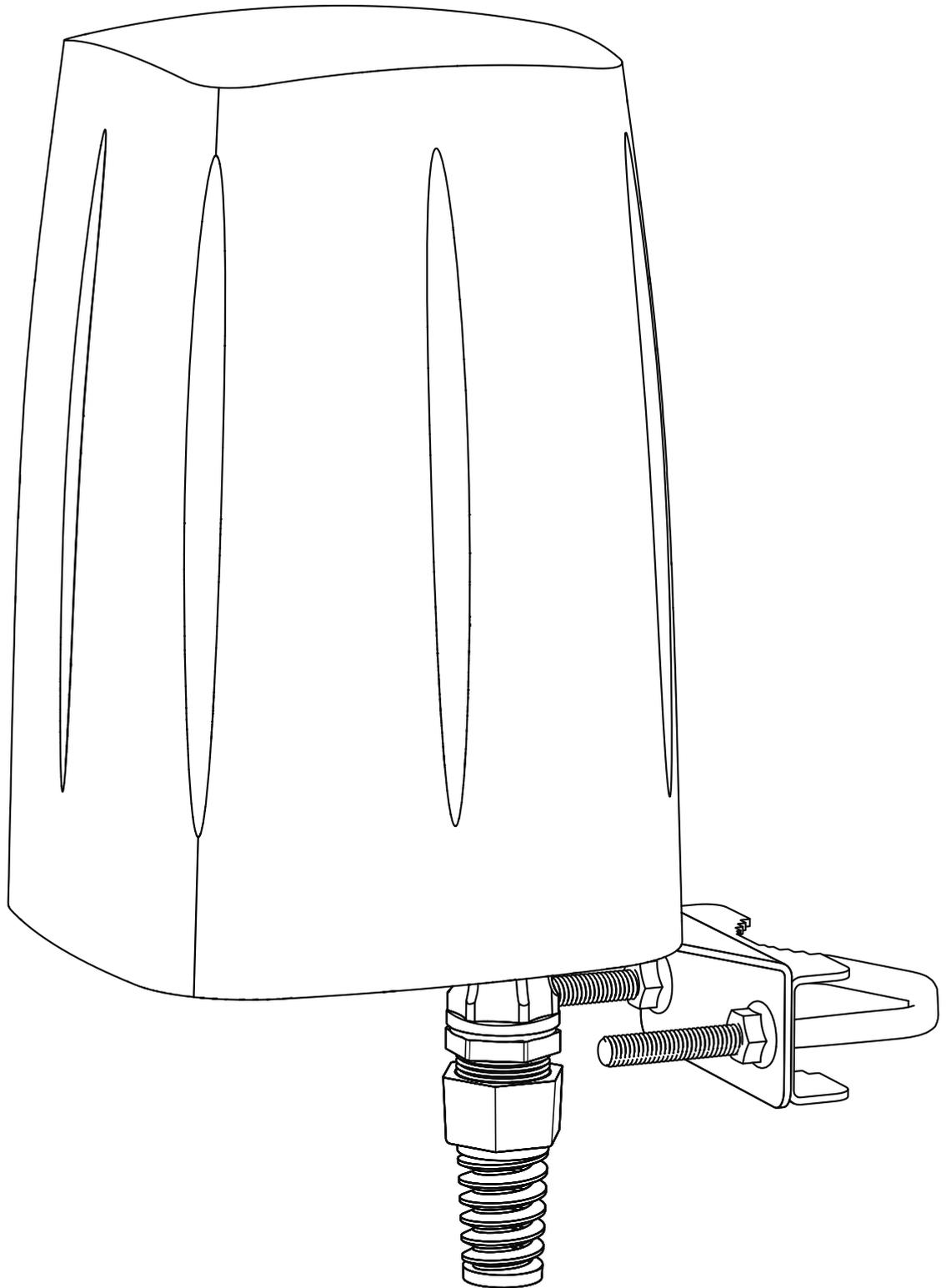
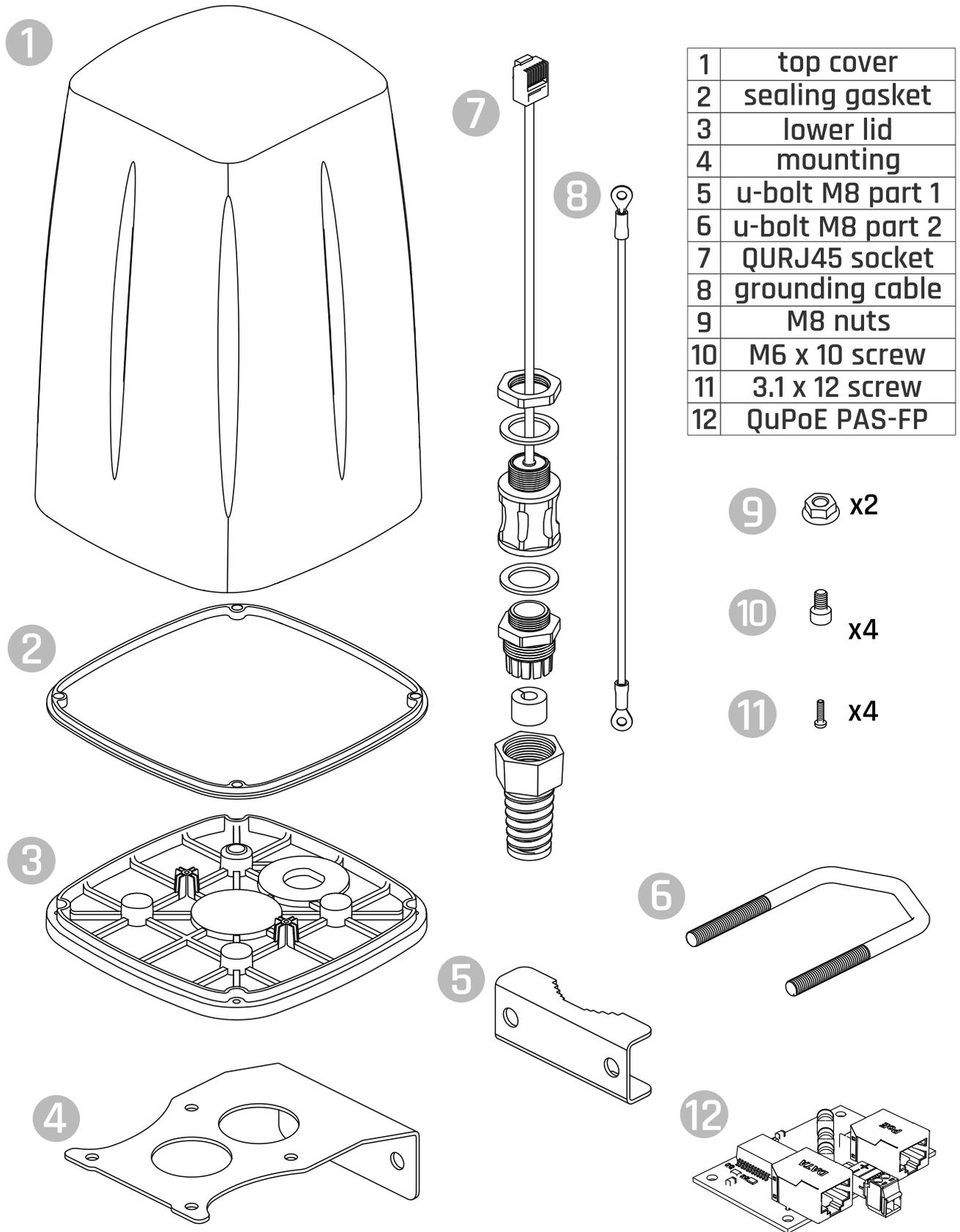


Quick Installation Guide

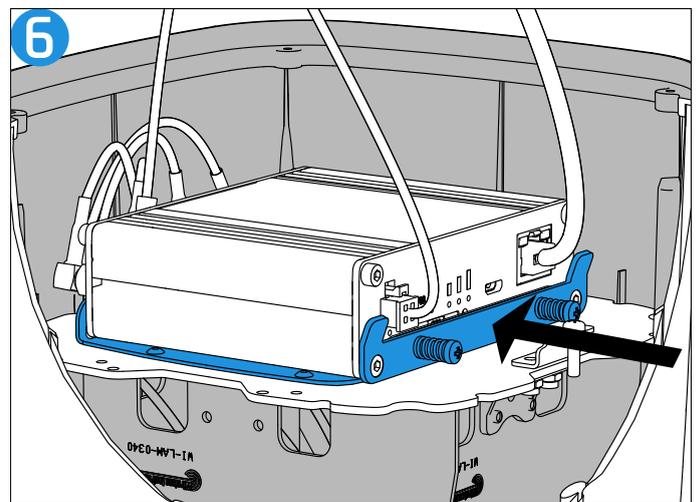
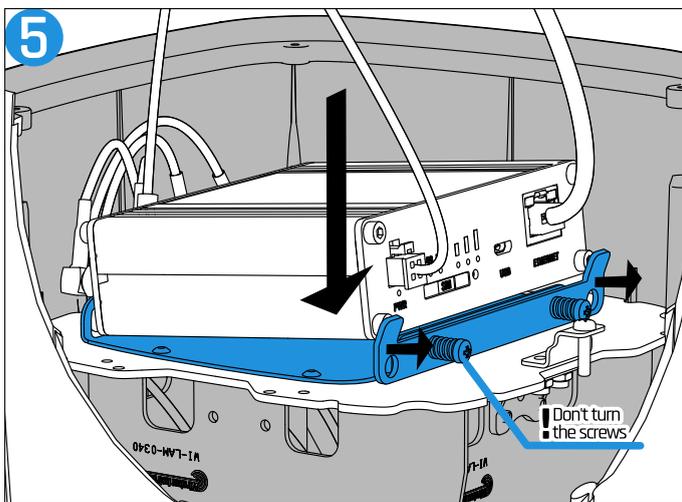
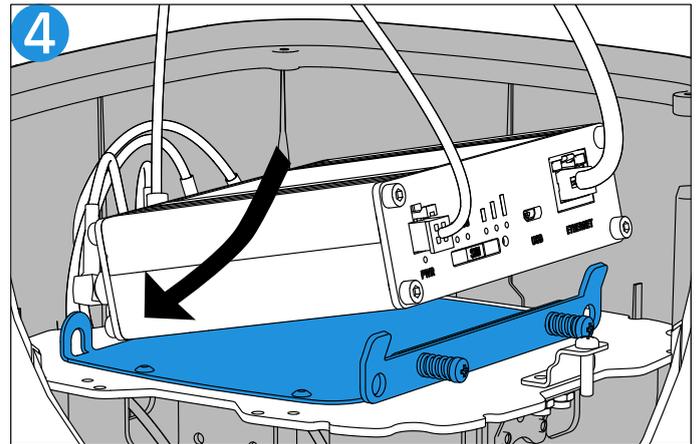
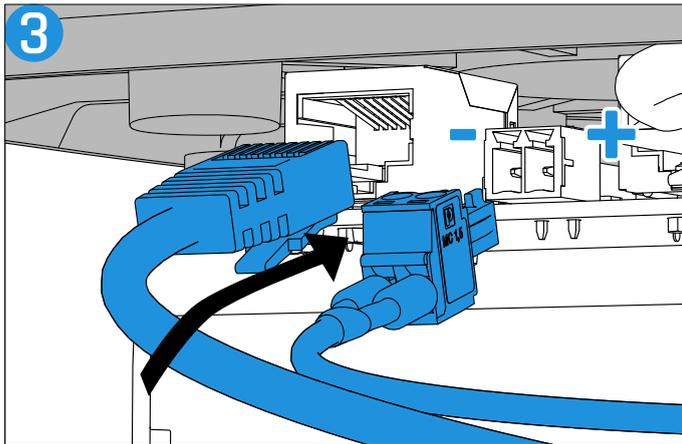
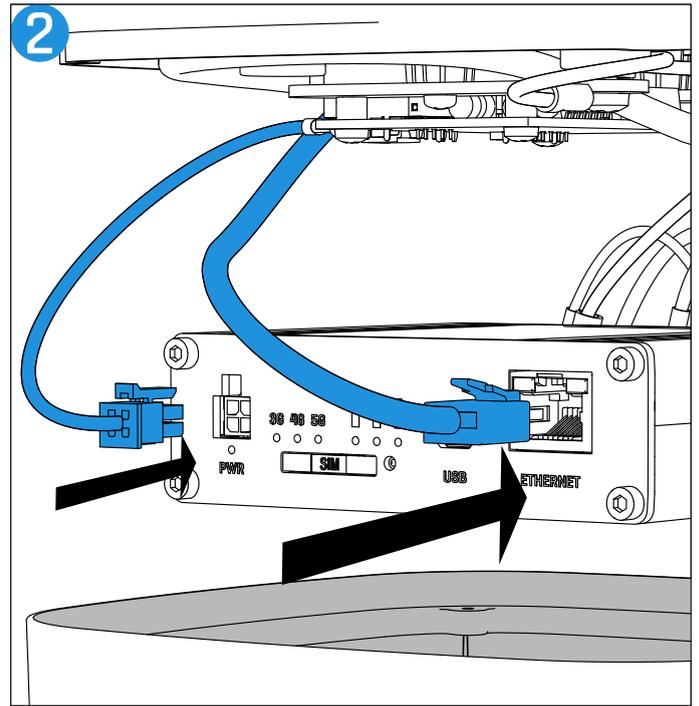
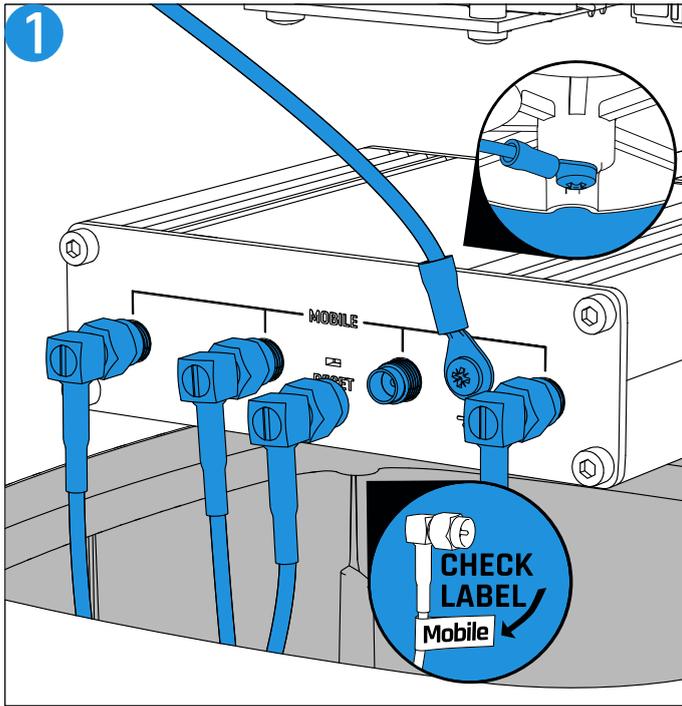
Antenna QuSpot for Teltonika TRB500



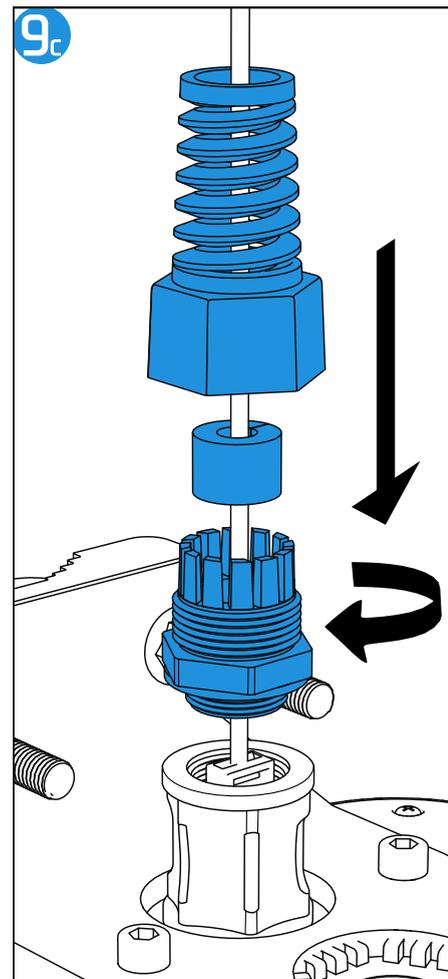
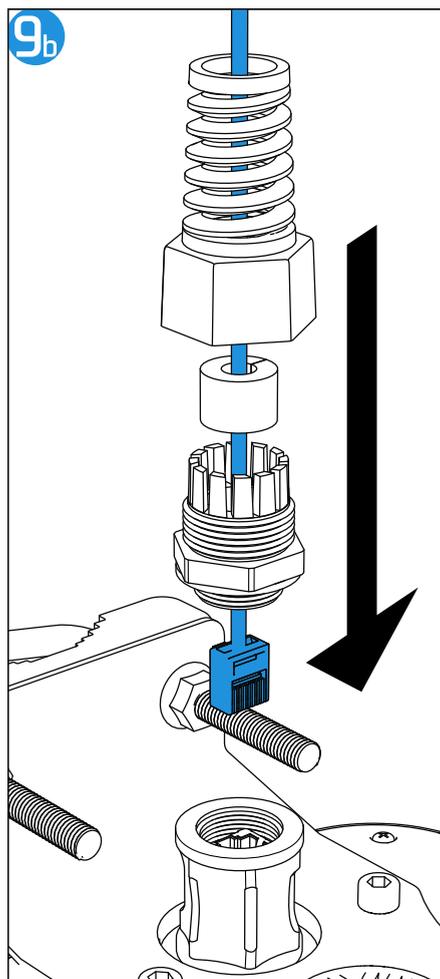
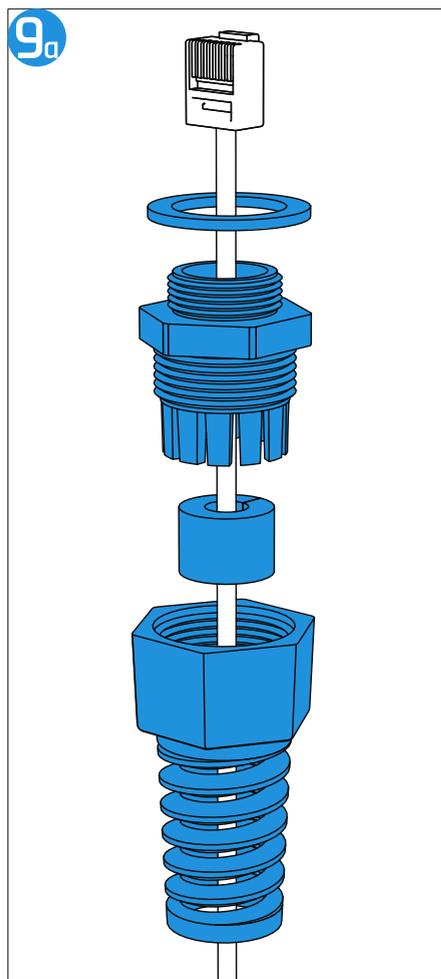
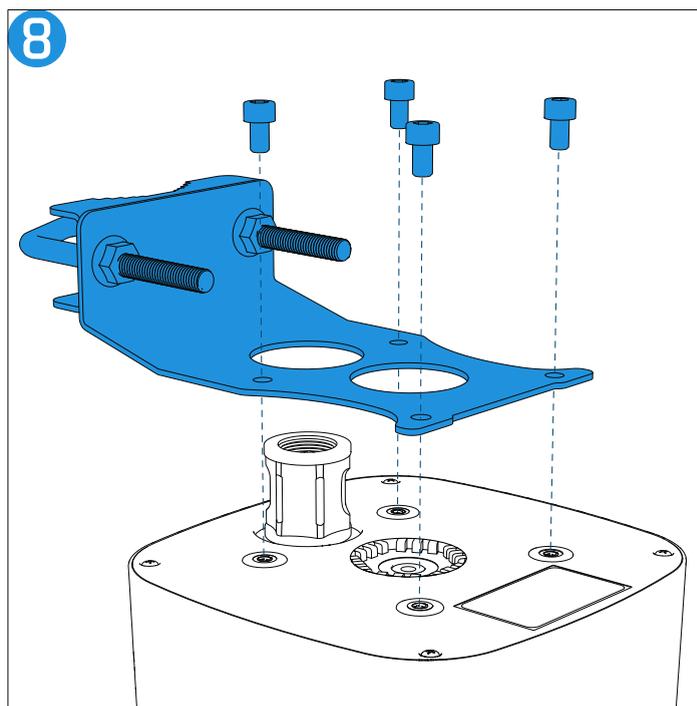
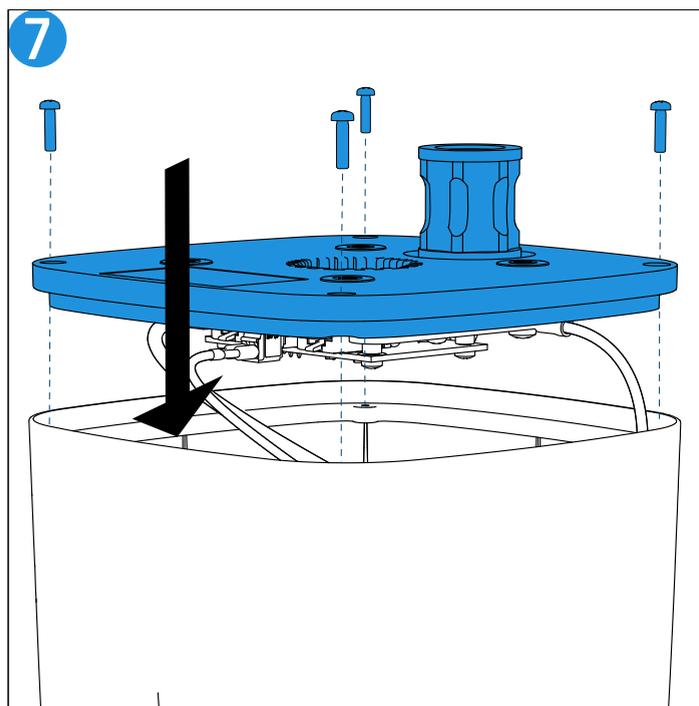
What's inside



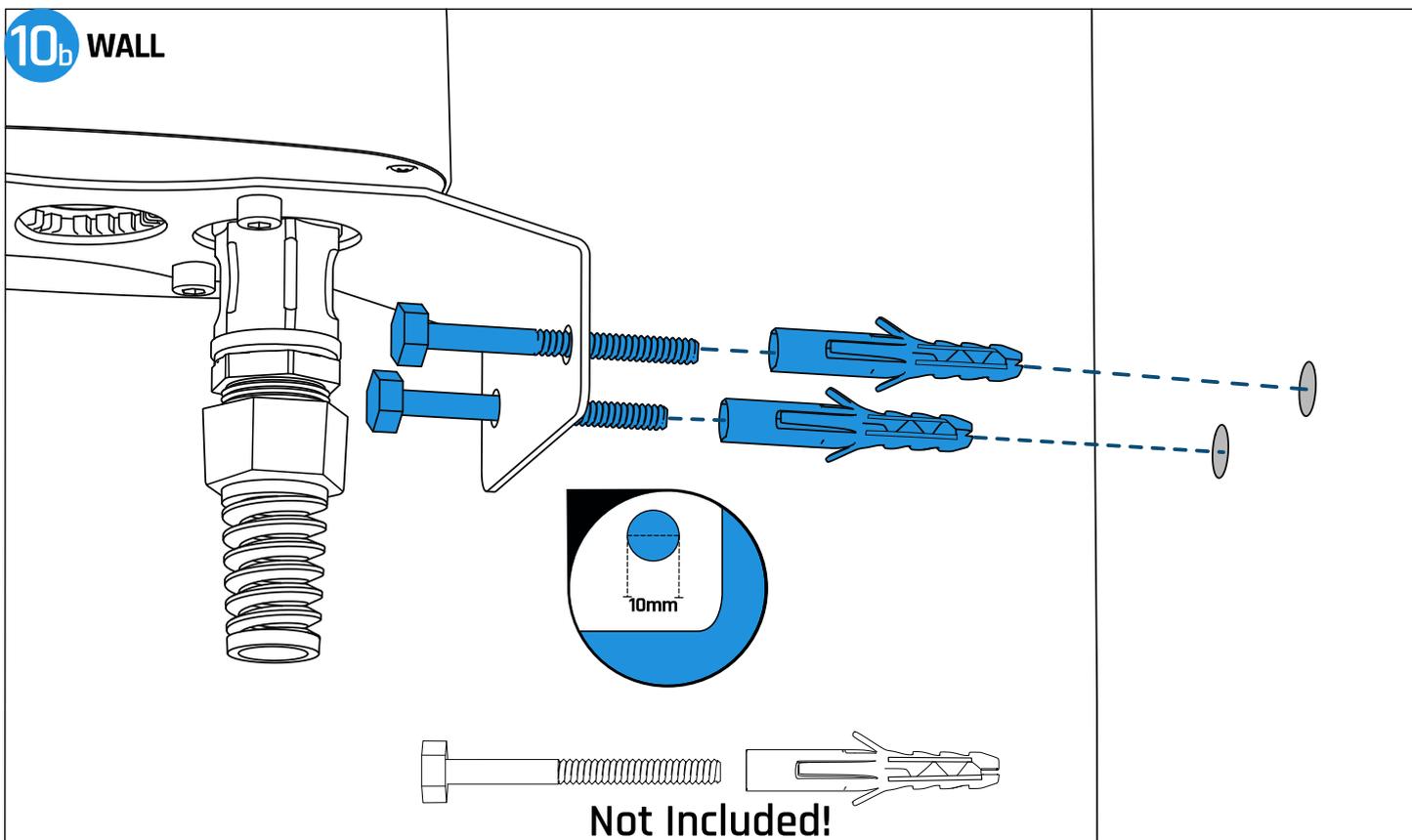
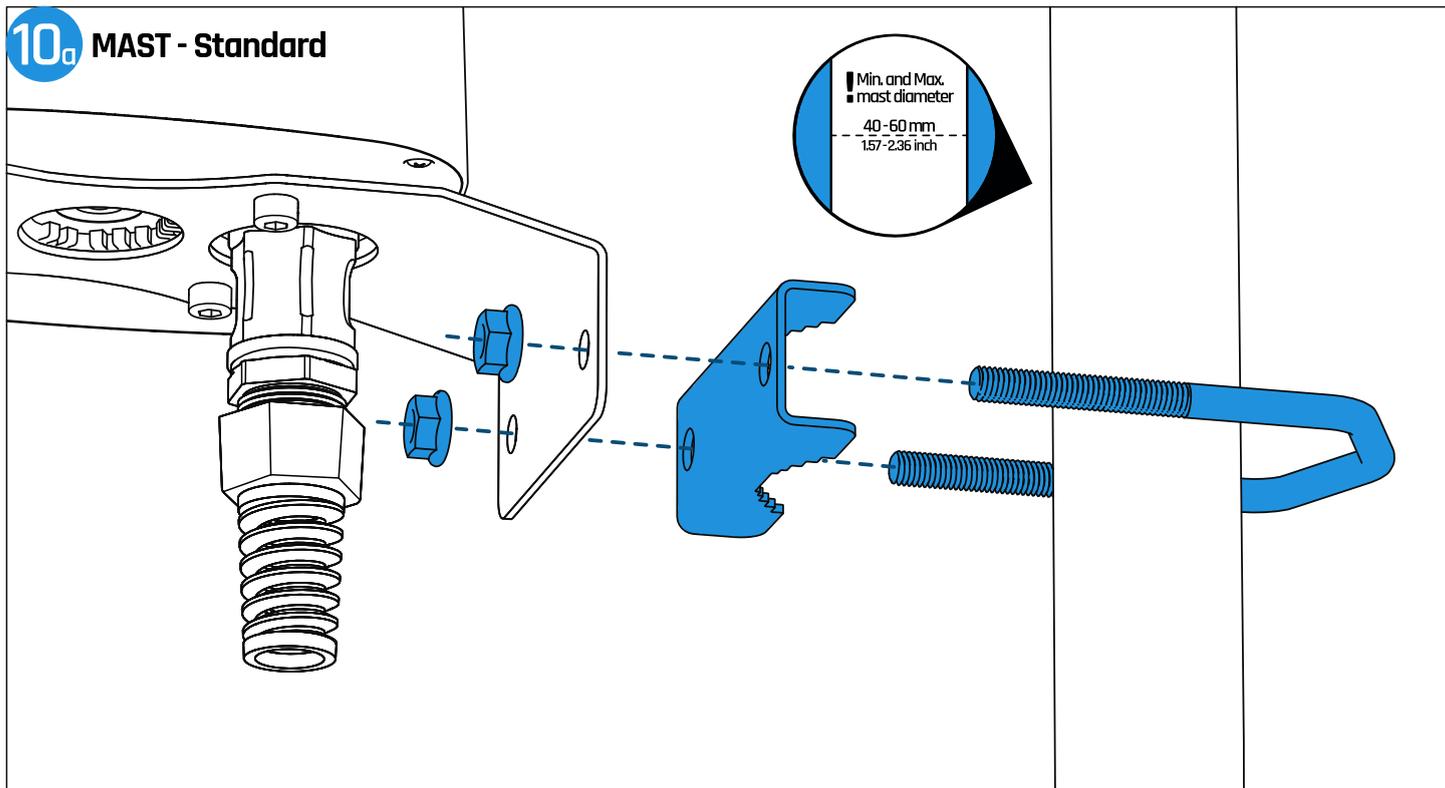
Antenna Installation



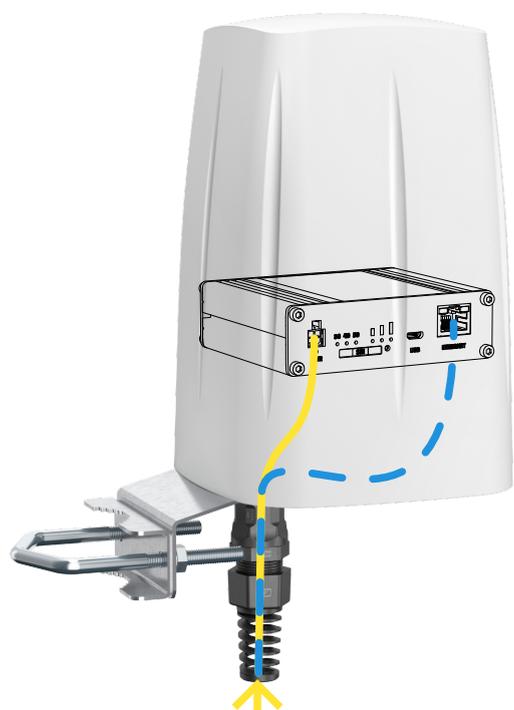
Antenna Installation



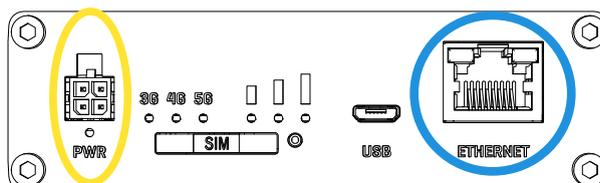
Mast and Wall Installation



11 POE Power Supply - STANDARD



Please note that TRB500 do NOT support PoE on the LAN port



Please note that:

- Teltonika routers are NOT COMPLIANT with the IEEE 802.3af-2003 standard; powering the device from an IEEE 802.3af-2003 power supply will damage the device as it is not rated for input voltages of the PoE standard.
- Teltonika routers NOT COMPLIANT with the IEEE 802.3at standard; it cannot power other devices over Ethernet.

For power supply, you can use any Gigabit Passive PoE power supply with a voltage of 9-30V in the case of TRB500.

You can use, for example, a power supply from our offer: [QuPSU GP241E](#)

Please note that the Passive PoE power supply is not included.

