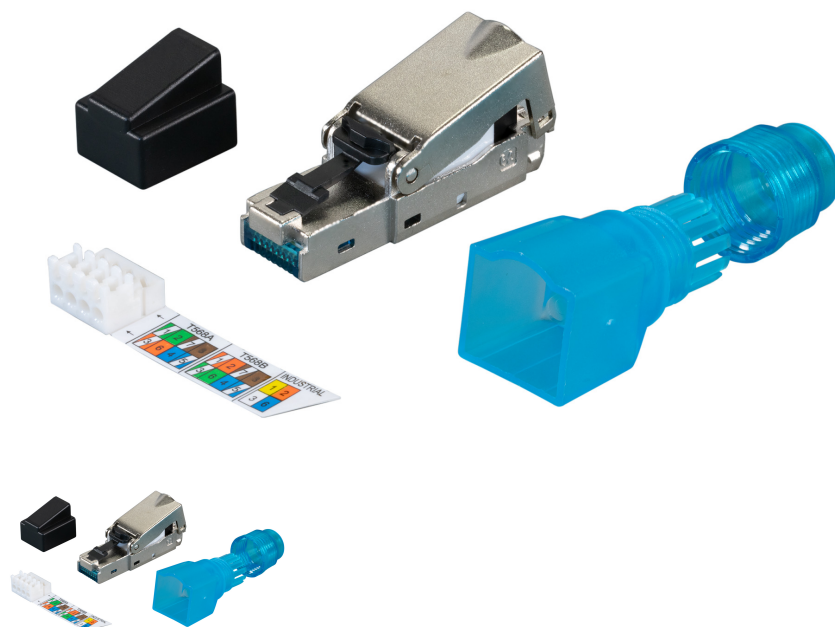


DATASHEET

RJ45 Connector STP, Cat.6A, Field-Plug



General data

The RJ45 plug provides a combination of excellent transmission quality and fast and easy tool-free assembly. Fully shielded zinc diecast housing ensures the best EMC features especially in industrial environments. IDC terminals and very low contact resistances assure high quality contacting for installation cables up to 9mm diameter and wire gauge from AWG22 - AWG27.

Shielded zinc diecast body with separate dust cap and anti-kink sleeve
 Class EA performance according to ISO/IEC11801 and IEC60603-7-51
 Compact cable manager for AWG 22/1 .. AWG 26/1 or AWG22/7 .. AWG27/7
 Pair management according to TIA 568A /B colour codes and industrial Profinet 1-2-3-6
 Re-termination capability up to 5 times with the same width, for AWG27/7 up to 2 times
 Suitable for cable dia from 6.0 mm .. 9.0 mm
 Strain relief with cable gland
 Tension relief with cable gland and sliding lever

Allgemeine Daten

| | |
|--|-----------|
| Type of connector | RJ45 8(8) |
| Suitable for litz wire conductor | True |
| Suitable for degree of protection (IP) | IP20 |
| Suitable for solid core | True |
| AWG-range | 22 - 27 |
| Suitable for flat cable | False |

This datasheet was created automatically on 10-07-2024 . Technical changes reserved.



DATASHEET

RJ45 Connector STP, Cat.6A, Field-Plug

| | |
|--------------------------|--------|
| Max. cable diameter | 9.0 mm |
| Suitable for round cable | True |
| Model | plug |

General data

| | |
|------------------------|-----------------------------------|
| Housing material | Zinc die cast |
| Connection type | Insulation displacement connector |
| Category | 6A (TIA) |
| Special tool necessary | False |
| Complaint to UL94 | V-0 |

Mechanical characteristics

| | |
|------------------------|---------------------|
| Mating cycles | ≥ 750 Mating cycles |
| Separate earthing flag | False |
| Dust cover | yes |
| Contact coating | 50 μ" |

Mechanische Eigenschaften

| | |
|---|-----------|
| 360° shield contact | True |
| Shield contact and strain relief separate | False |
| Type of locking | snap lock |

Environmental conditions

| | |
|-------------------|-------------|
| Temperature range | -40 - 66 °C |
|-------------------|-------------|

Electrical characteristics

| | |
|---------------------------------|-----------|
| Insulation Resistance | ≥ 500 MΩ |
| Contact Resistance | ≤ 20 mΩ |
| Dielectric Withstanding Voltage | 1000 V DC |
| Current Rating | 1.5 A |
| 4PPOE certified | True |

Structure du câble

| | |
|----------|------|
| screened | True |
|----------|------|

This datasheet was created automatically on 10-07-2024 . Technical changes reserved.



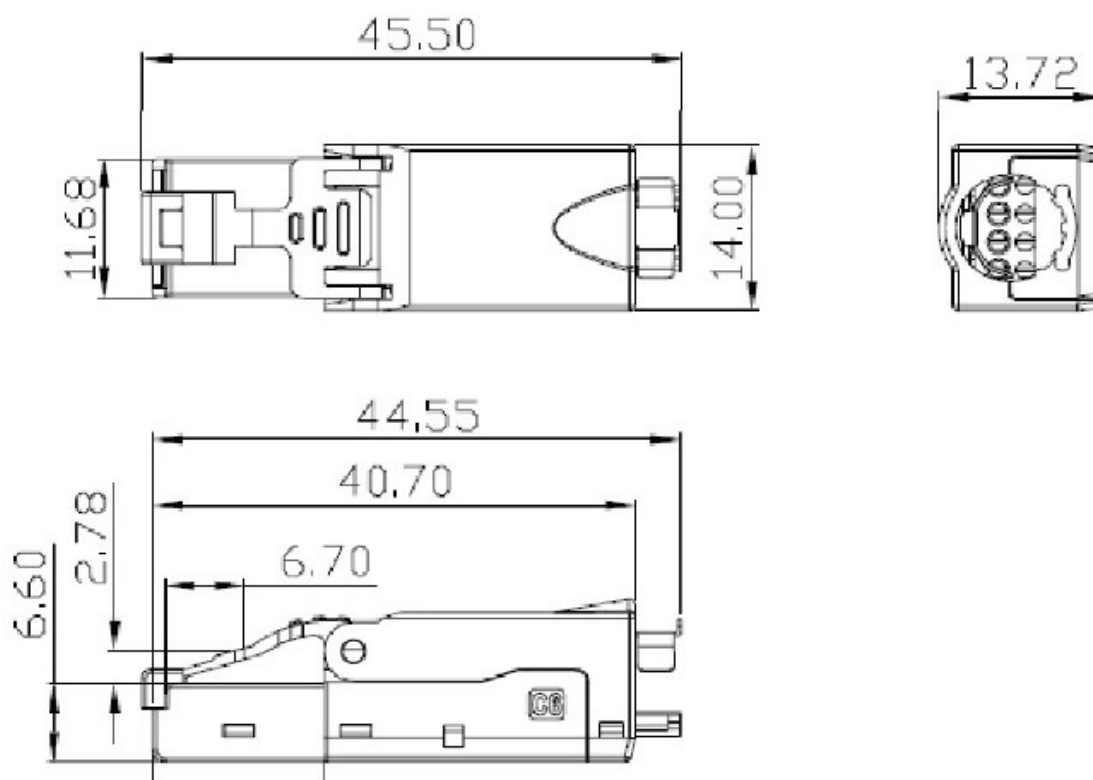
DATASHEET

RJ45 Connector STP, Cat.6A, Field-Plug

Available variants

| ArtNr. | Bezeichnung | Colour | Transparent |
|-----------|--|--------|-------------|
| 88035AV.1 | RJ45 Connector STP, Cat.6A, Field-Plug | silver | False |

Drawings



This datasheet was created automatically on 10-07-2024 . Technical changes reserved.

