

# One-door Access Controller User Manual V2.2

## 1. Specifications:

### 1.1 Technical parameters:

|                       |                                 |
|-----------------------|---------------------------------|
| Operating voltage     | DC 12V±10%                      |
| Operating current     | < 100mA                         |
| Operating temperature | 0°C ~ 60°C                      |
| Storage               | 1000users                       |
| Card type             | EM(standard) / Mifare(optional) |
| Reading distance      | 1 - 5CM                         |

### 1.2 Factory Default:

|                     |                       |
|---------------------|-----------------------|
| Authentication Mode | Card or Password(PIN) |
| Unlocking Duration  | 5 S                   |
| Common PIN          | None                  |

### 1.3 Light and Sound indicates :

Light: red and green

| Light Description                          | Indicates                              |
|--|--|
| Red light flash every 2 sec(Slow flash)    | Standby state                          |
| Green light flash every 0.5sec(Fast flash) | Pending further operation              |
| Red light is always ON                     | Programming state                      |
| Green light is always ON                   | Unlocking state                        |
| Red and green light flash alternately      | Restoring Factory Programming Password |

Sound: beep

| Sound Description | Indicates                              |
|-------------------|--|
| 1 short beep      | Valid input                            |
| 3 short beeps     | Invalid input                          |
| 1 long beep       | Programming state                      |
| 3 long beeps      | Restoring Factory Programming Password |

## 2. Installations Guide:

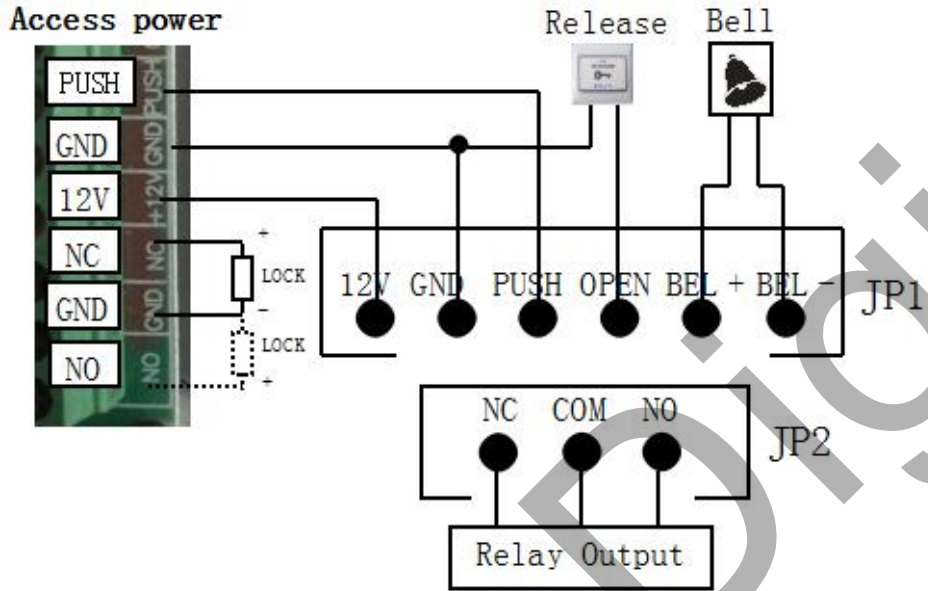
JP1 :

| NO | Mark | Color  | Function         |
|----|------|--------|------------------|
| 1  | +12V | Red    | Power+           |
| 2  | GND  | Black  | Power-           |
| 3  | PUSH | BLUE   | Low level output |
| 4  | OPEN | Yellow | Door Release     |
| 5  | BEL+ | Grey   | High level Input |
| 6  | BEL- | White  | Voltage output   |

JP2 :

| NO | Mark | Color  | Function         | Remark |
|----|------|--------|------------------|--------|
| 1  | NC   | Brown  | Relay NC output  |        |
| 2  | COM  | Blue   | Relay Com output |        |
| 3  | NO   | Purple | Relay NO output  |        |

### 2.1 Wiring diagram



### 3. Programming Guide

#### 3.1 Programming Guide: (Programming Password Default: 123456)

Remark: All password can be 3~6 digits

| Programming Item |                                       | Press key and swipe card operations       | Remark  |
|------------------|---------------------------------------|---|---|
| Basic Function   | Change Programming Password (Pro. PW) | # Pro.PW # 0 new Pro.PW # new Pro.PW #    | If Pro PW lost, perform 3.2 to reset to Factory Default (123456)  |
|                  | Add user card                         | # Pro.PW # 1 swipe cards #                | If add series cards, swipe cards continuously   |
|                  | Configure Common PIN                  | # Pro.PW # 21 new Common PIN #            | Common PIN is only one, Unlocking method: Enter Common PIN then press [#]   |
|                  | Delete all users                      | # Pro.PW # 40 0000 #                      | Delete all cards and PIN except Common PIN  |
|                  | Delete user by swiping card           | # Pro.PW # 41 swipe cards #               | If delete series cards, swipe cards continuously  |
| Expand Function  | Add user by input User ID             | # Pro.PW # 224-digit User ID swipe card # | Add user card or PIN by user's ID. User ID must be 4 digits and cannot be reused (3 beeps means reused and need to enter a new). If add series users repeat the operation. More about User ID see 3.3 |
|                  | Add PIN                               | # Pro.PW # 23 4-digit User ID new PIN #   |   |
|                  | Delete user by User ID                | # Pro.PW # 424-digit User ID #            |   |
|                  | Delete user by card No.               | # Pro.PW #43 card No.#                    |   |

|  |                               |                   |   |
|--|-------------------------------|-------------------|---|
|  | Configure Unlocking Duration  | # Pro.PW # 5 XX # | XX is 2-digit (00 ~99). If xx is 00, Unlocking Duration is 0.2s |
|  | Configure Authentication Mode | # Pro.PW # 6 XX # | XX can be 01(only Card)/02(Card or PIN)/03(Card & PIN)          |
|  | Reset Factory Default         | # Pro.PW # 8 99 # | Except Programming Password and Manager Card                    |

### 3.2 How to reset to Factory Programming Password(123456)

Step1, Turn off power and connect OPEN and GND terminal. Turn on power then there is 3 long beeps with green and red light flashing alternately.

Step2, Turn off power, disconnect OPEN and GND terminal. Turn on power again. Initializing Programming Password is completed.

### 3.3 Use ID explanation

User ID is 4-digit number from 0001 to 9999. There is no User ID for the users added by command [1]. Perform command [40] to clear all User ID.

## 4. Other extensions

### 4.1 How to change PIN

Swipe card or press PIN to unlock within 5s press [#] for 3s until the green light flash fast, then press [new PIN#new PIN#], the new PIN changed successfully with a long beep.

### 4.2 Authentication Mode for Card& PIN function

Setp1, When Authentication Mode is [Card or PIN] (factory default), according to the step 3.4 to configure the PIN of the card.

Setp2, Press [#Programming Password#603#] to configure Authentication Mode to be [Card & PIN].

Setp3, Swipe user's card with green light fast flash then input [PIN#] with green light normally ON, the door opened successfully.

### 4.3 Door open function description:

When the credit card or password is normally opened, press the 7, 9 digit key to keep the door open.

When the door is always open, only once the credit card, password, or the door button is opened again, the exit is always open.