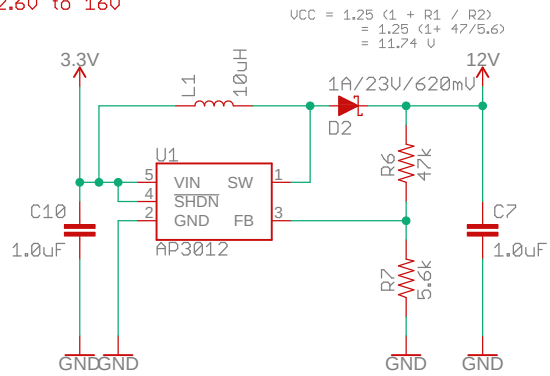


12V Boost VIN: 2.6V to 16V

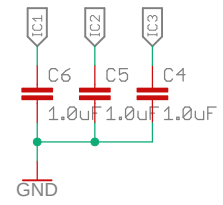


$$UCC = 1.25 (1 + R1 / R2)$$

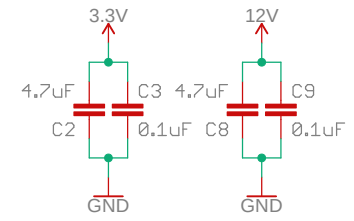
$$= 1.25 (1 + 47/5.6)$$

$$= 11.74 V$$

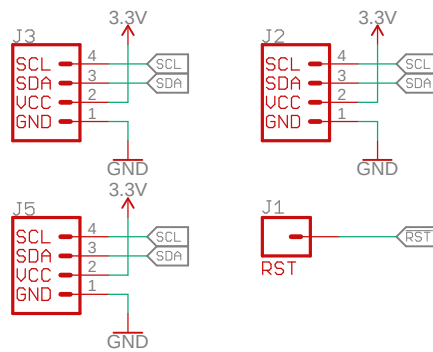
Bypass Capacitors



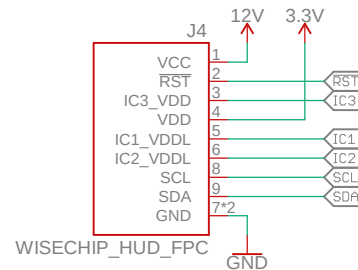
Bypass Capacitors



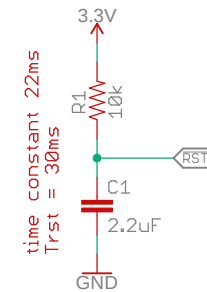
Connectors



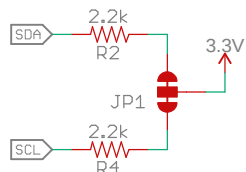
FFC Connector I2C Address: 0x30 & 0x31



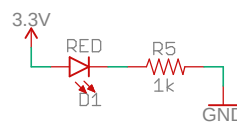
Power Sequence Timing



Optional I2C Pullups



Power Indicator LED



Released under the Creative Commons Attribution Share-Alike 4.0 License
<https://creativecommons.org/licenses/by-sa/4.0/>

TITLE: SparkFun_Qwiic_OLED_HUD

Design by: Nick Poole
 Revision By: Andy England

REV: v10

Date: 2/20/2019 10:44 AM

Sheet: 1/1