

# Elegant Wall





GÜNKO INDUSTRIAL

[www.gunko.com.tr](http://www.gunko.com.tr)

# INDUSTRIAL

*Günko Industrial, one of Gunok Group companies operating in the metal industry since 1974, was established in 2005.*

*Its modern technology according to an integrated infrastructure, experience and the needs of the IT world with dynamic staff presence of 19" indoor Racks and accessories, outdoor enclosures, server and data center cabinets.*

*All production processes are monitored and controlled by the ERP system.*

*Günko Industrial in the 19" rack industry in 2007 is the first enterprise engaged in the production of the EN standards, has been certified by TSE in 2010.*

*Its processes related to using the TS EN ISO 9001 Quality Management System and resources more effectively and efficiently control is continuous improvement.*

*Günko Industrial, within company boundaries, secure workspaces and safety work-related accidents by adopting a culture of prevention policies, to keep under control under the legal requirements and practices regarding enforcement of environmental legislation aims.*

*Günko Industrial pride of being the preferred brand comes from the excellent services offered to customers.*



elegant pro

server rack

elegant

net

open

GUNKO

cabinets

rack

pro  
case

soho  
rack

accessories

fiber  
optic

elegant wall

Elegant Wall

Elegant pro

Elegant Net

cabinets

Server

Accessories

fiber optic

Soho

Open

Pro case rack

GÜNKO



*We are aware of our responsibilities as Gunko industrial.*

Elegant robust structure consist by front and rear welded frames.

19" Elegant Net & Elegant Pro rack cabinets are designed to meet the needs of high density network applications and it is engineered for superior weight capacity with welded construction.





% 100 Recyclable  
packaging Materials

**Elegant flat pack racks**  
less carbon footprint

**Green advantages of fat pack**

**Do not forget your environmental responsibility**

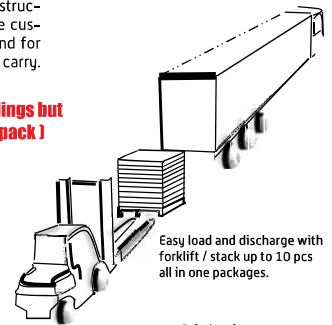
Compared to pre-assemble products flat pack rack cabinets is more environmentally conscious and it cuts down on size, which cuts down on shipping costs and also reduces the carbon footprint for a green Nature environment.



Elegant flat pack Rack cabinets enables consumers to assemble a product themselves with a manual instruction, saving significant amounts of money for the customers by reducing shipping and storage costs and for the consumers it offers an easier shape / size to carry.

**You can not change the structure of the buildings but you can order Flat pack Elegant rack ( all in 1 pack )**

Easy transportation for retail customers



Easy load and discharge with forklift / stack up to 10 pcs all in one packages.

Door / Elevator



Thanks to Flat pack construction it is possible to bring them also into places with difficult access, e.g. basement or attic, narrow door-openings or spiral stairs.

Spiral stairs



5

cabinets

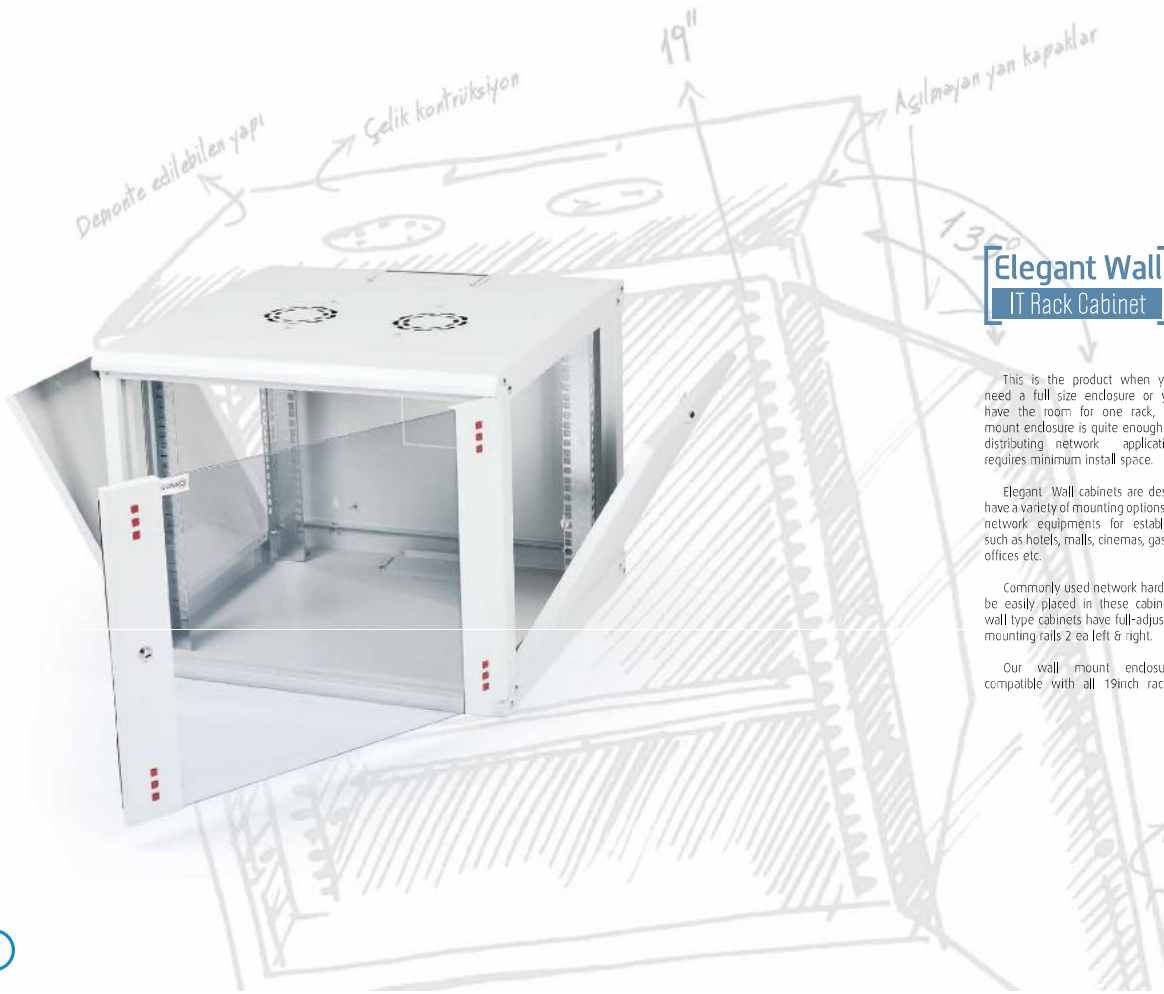
[www.gunko.com.tr](http://www.gunko.com.tr)

GÜNKO

# Elegant Wall

elegant wall cabinets





### Elegant Wall IT Rack Cabinet

This is the product when you don't need a full size enclosure or you don't have the room for one rack, the Wall mount enclosure is quite enough for most distributing network applications but requires minimum install space.

Elegant Wall cabinets are designed to have a variety of mounting options for small network equipments for establishments such as hotels, malls, cinemas, gas stations, offices etc.

Commonly used network hardware can be easily placed in these cabinets. Each wall type cabinets have full-adjustable 19" mounting rails 2 ea left & right.

Our wall mount enclosures are compatible with all 19inch rack mount

equipments and has enough depth for network equipment and network cable bundles, size range is between 07U to 20U and the weight capacity up to 100kg

These rack ship fully assembled or flat pack with quick and easy assembly structure, this racks has removable side panels for easy access for equipment during installation and maintenance, and all models are equipped with locking doors to prevent unauthorized access, the modular structure also providing extremely space efficient, saving significant amounts of money for the customers by reducing shipping and storage costs, in addition to this features, rack doors can be ordered in our available, solid, perforated or glass versions.



### Elegant Wall IT Rack Cabinet

Cooling is an extremely important challenge in any networking situation

Elegant wall ventilation modules which can be detached by removing 4 pcs screws from the top in case of maintenance or replacement needs.

Protect your devices against overheating by choosing the right fan module.

We offer a wide product range of ventilation units with the different fan modules.

- On/Off switch Fan modules
- Analog & Digital Thermostat control unit Fan modules
- Rack mounting type 19inch Fan modules



**Elegant Wall**  
IT Rack Cabinet

Cable Entries

Bottom and top frame include sliding section and adjustable width for more cable entries into rack. These spaces are covered by rubber.

Rubber prevents dust entries in to rack and cables from sharp edges.



**Elegant Wall**  
IT Rack Cabinet

Front Doors of Elegant Wall Rack

Front doors are easily removable with spring hinged, single point locking mechanism, opening angle is 220°, opening direction is right from left. Also, its changeable opening directions with spring hinge. Front door are produced as decorative metal framed 4mm tempered glass.

For 450mm depth, there are only 1 pair forward backward movable and 3 times twisted, zinc plated and U marked 19" mounting rails. Second pair is an option and should ordered as extra. For 575mm depth, there are 2 pair 19" mounting rails.



Smoked Tempered Shatterproof Glass

Tempered Glass



**Elegant Wall**  
IT Rack Cabinet

Rear panel and side panels

Rear panel of the wall-mounting rack serves as a guide template to drilling the screws and very convenient in order to place the rack cabin in the desired location, the unique design provides 4 fixing point and M-joint type cable entry at the back side.

Removable side panels allow comfortable and easy access to the installed devices for maintenance from all sides of the cabinet.

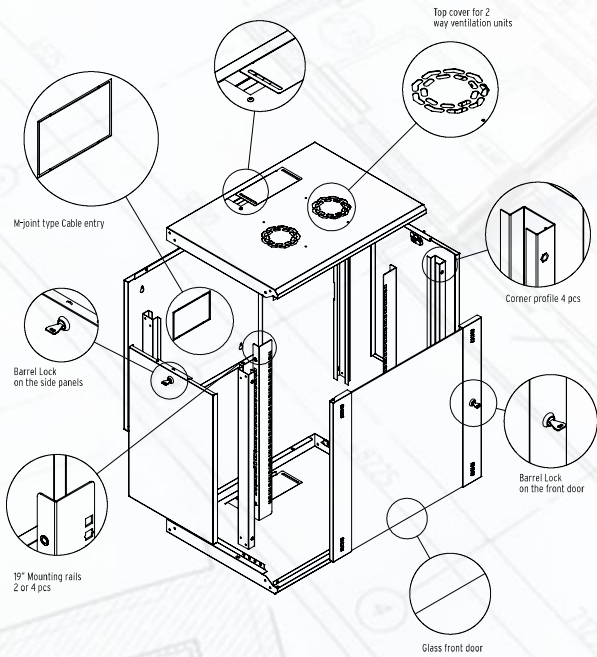


Castors

All wall rack series cabinets has mounting holes for levelling feet or castors. Wall racks are usable with levelling feet or castors as like a floor standing racks.

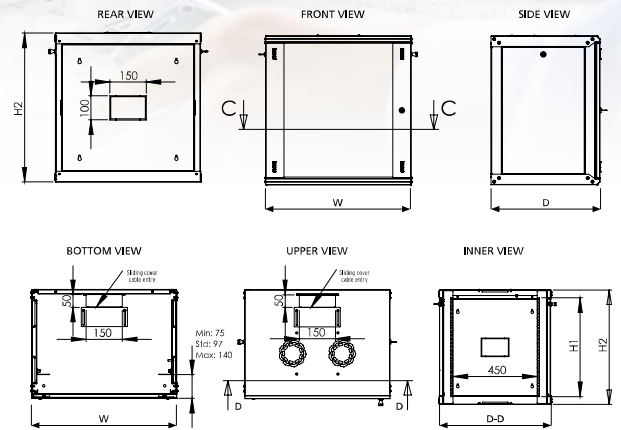


Technical Drawing  
w: 600 mm d: 450 mm



GÜNKO

elegant wall cabinets



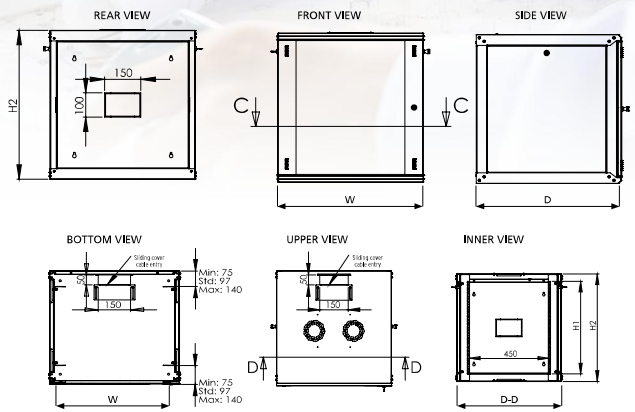
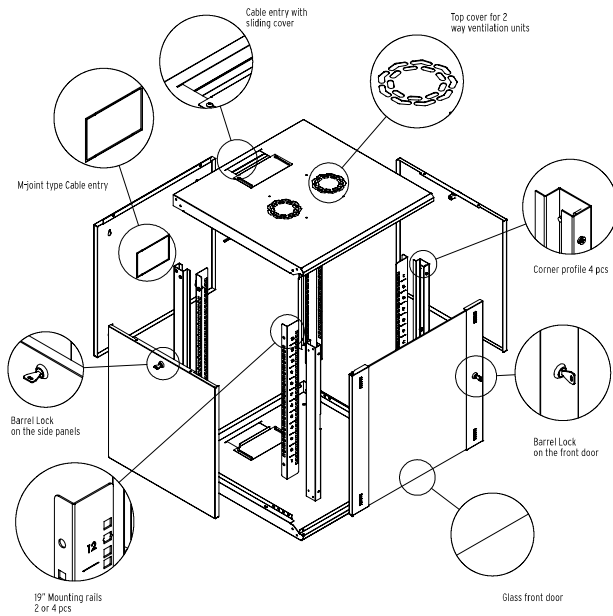
600 x 450 mm ELEGANT WALL

Product Code	Product Description	Out Width (W) (mm)	Out Depth (D) (mm)	Inner Height (H) (mm)	Out Height (H) (mm)
ELGW 04U 6045 CC III	04U 19° 600x450mm Elegant Wall Mounting Rack Cabinet	600	450	177,8	259,75
ELGW 07U 6045 CC III	07U 19° 600x450mm Elegant Wall Mounting Rack Cabinet	600	450	311,15	393,1
ELGW 09U 6045 CC III	09U 19° 600x450mm Elegant Wall Mounting Rack Cabinet	600	450	400,05	482
ELGW 12U 6045 CC III	12U 19° 600x450mm Elegant Wall Mounting Rack Cabinet	600	450	533,4	615,35
ELGW 16U 6045 CC III	16U 19° 600x450mm Elegant Wall Mounting Rack Cabinet	600	450	712	793,15
ELGW 20U 6045 CC III	20U 19° 600x450mm Elegant Wall Mounting Rack Cabinet	600	450	889	970,95

\*\*CC: Means=Color Code, BL=Rail 9005 Black, LG=Rail 7035 Light Gray



Technical Drawing  
w 600 mm d 600 mm



600 x 600 mm ELEGANT WALL

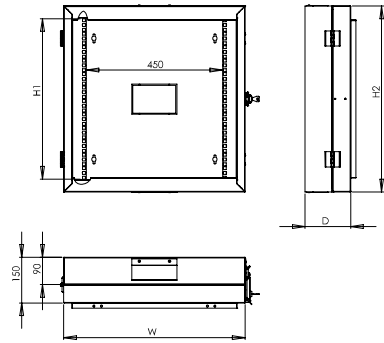
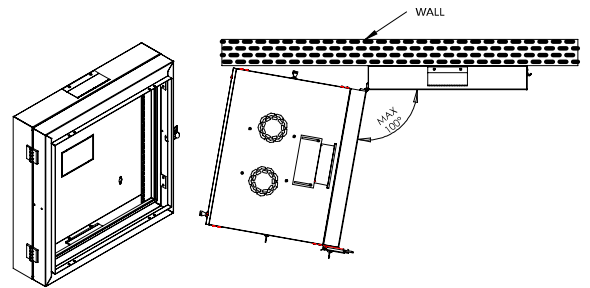
Product Code	Product Description	Out Width (W) (mm)	Out Depth (D) (mm)	Inner Height (H) (mm)	Out Height (H) (mm)
ELGW 04U 6060 CC III	04U 19" 600x600mm Elegant Wall Mounting Rack Cabinet	600	600	177.8	259.75
ELGW 07U 6060 CC III	07U 19" 600x600mm Elegant Wall Mounting Rack Cabinet	600	600	311.5	393.1
ELGW 09U 6060 CC III	09U 19" 600x600mm Elegant Wall Mounting Rack Cabinet	600	600	400.05	482
ELGW 12U 6060 CC III	12U 19" 600x600mm Elegant Wall Mounting Rack Cabinet	600	600	533.4	615.35
ELGW 16U 6060 CC III	16U 19" 600x600mm Elegant Wall Mounting Rack Cabinet	600	600	712	793.35
ELGW 20U 6060 CC III	20U 19" 600x600mm Elegant Wall Mounting Rack Cabinet	600	600	889	970.95

\*\*CC Means-Color Code, BL=Rail 9005 Black, LG=Rail 7035 Light Gray

## Elegant Wall Double Section

We developed wall mounting type Elegant enclosures in order to use for more than one purpose. Double section rack is able to swing out from the wall while still be hanging to the wall with extension rear body module.

You can easily fix the additional rear module by removing the template holder from on rack enclosure, it provides easy access to equipment with it is swinging out structure and rear additional body is very convenient for cable management.



### 600 x 150 mm ELEGANT WALL DOUBLE SECTION

Product Code	Product Description	Out Width (W) (mm)	Out Depth (D) (mm)	Inner Height (H) (mm)	Out Height (H) (mm)
ELGW 04U 6015 CC	04U Extension Body For Elegant Wall Cabinets With Barrel Lock And Hinge	600	150	177.8	259.75
ELGW 07U 6015 CC	07U Extension Body For Elegant Wall Cabinets With Barrel Lock And Hinge	600	150	311.15	393.1
ELGW 09U 6015 CC	09U Extension Body For Elegant Wall Cabinets With Barrel Lock And Hinge	600	150	400.05	482
ELGW 12U 6015 CC	12U Extension Body For Elegant Wall Cabinets With Barrel Lock And Hinge	600	150	533.4	615.35
ELGW 16U 6015 CC	16U Extension Body For Elegant Wall Cabinets With Barrel Lock And Hinge	600	150	711.2	793.15
ELGW 20U 6015 CC	20U Extension Body For Elegant Wall Cabinets With Barrel Lock And Hinge	600	150	889	970.95

\*\*CC Means=Color Code, BL=Rail 9005 Black, LG=Rail 7035 Light Gray