



Grandstream Networks, Inc.

126 Brookline Ave, 3rd Floor
Boston, MA 02215. USA
Tel : +1 (617) 566 - 9300
Fax: +1 (617) 249 - 1987

www.grandstream.com

For Warranty and RMA information, please visit
www.grandstream.com



In-Wall Mounting Kit

Quick Reference Guide

(GDS3710 NOT Included)

Content

English.....1

PRECAUTIONS

- Please follow local building code and electrical code to install the device.
- Suggest to install the device with bottom line around 50~55 inches above the ground lever.
- Please refer to Grandstream website for more updated Online Documents like:

QIG:

www.grandstream.com/sites/default/files/Resources/GDS3710_QIG.pdf

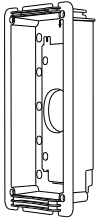
User Manual:

www.grandstream.com/sites/default/files/Resources/GDS3710_UserManual.pdf

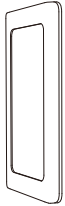
FAQ:

www.grandstream.com/our-products

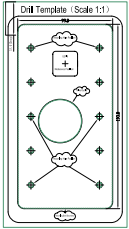
PACKAGE CONTENTS



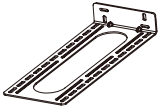
1 x Plastic Box



1 x Cover Plate



1 x Drill Template



1 x Metal Frame
(For Stud Mount)



1 x Quick Reference Guide



1 x Anti-Tamper Hex Key



(1)

PA3.5*35mm

6 x Anchor & Screw Set (Mount the Plastic Box into Solid Wall)



(2)

PM3*10mm

6 x Screws (Fix the Bracket into Plastic Box)



(3)

PM3*12mm

6 x Screws (Fix Plastic box on Meta Frame)



(4)

M3

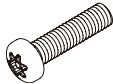
6 x Nuts (Fix Plastic Box on the Meta Frame)



(4)

M3

6 x Nuts (Fix Plastic Box on the Meta Frame)



(5)

PM3*12mm

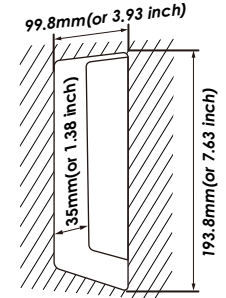
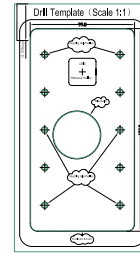
6 x Anti-Tamper Screws

.3.

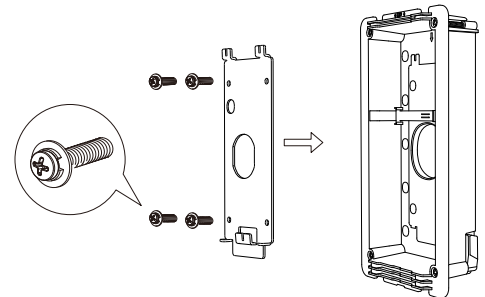
Solid Wall Installation

Please follow below steps to install the device into solid wall.

Step 1: Use provided Drill Template to mark boundary then dig a rectangle hole into the wall (drilling or dig tools not provided). The depth of hole is **35 mm (or 1.38 inch)**, marked in the template (rotating it to measure if necessary).

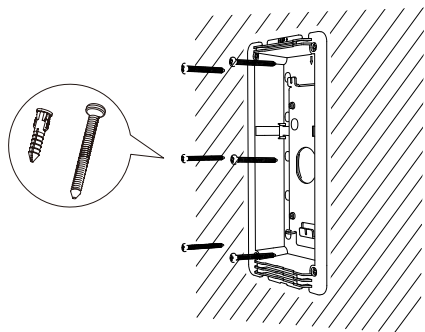


Step 2: Mount the Installation Bracket into the Plastic Box using supplied Screws⁽²⁾.

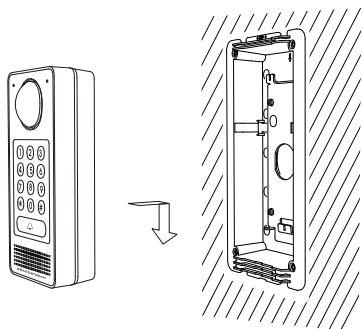


.4.

Step 3: Use provided Anchor/Screw⁽¹⁾ to mount the Plastic Box inside the hole just digged.

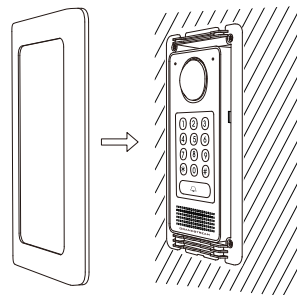


Step 4: Follow GDS3710 QIG and User Manual to connect wires to the PoE switch or PoE Injector. Connect the Electrical Lock according to its document.

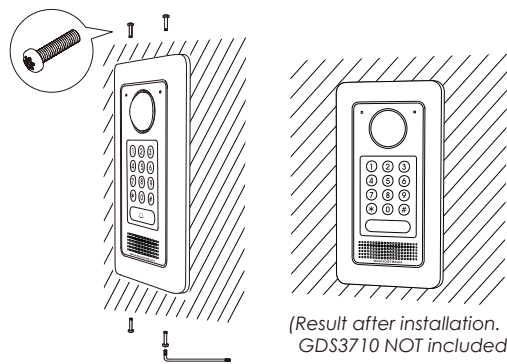


.5.

Step 5: Align the bracket clips, press and push down the GDS3710 into place.



Step 6: Install the Cover Plate and fix it using the Hex Key with the Anti-Tamper Screws⁽²⁾ provided.



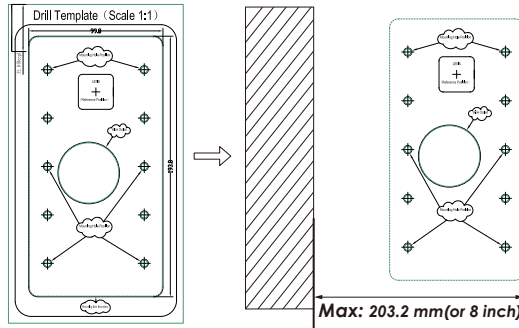
(Result after installation.
GDS3710 NOT included)

.6.

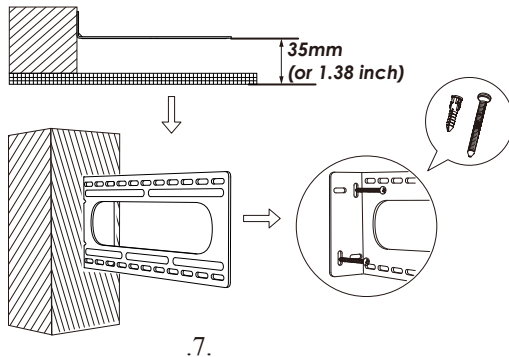
Stud Installation

Please follow below steps to install the device at the stud of a new building open wall, or a finished wall.

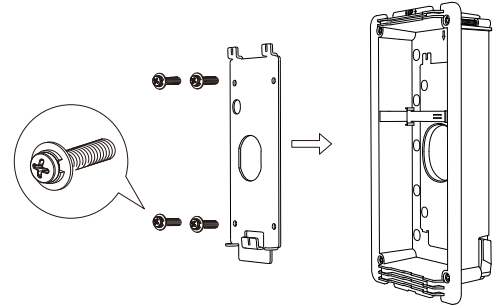
Step 1: For finished wall, use provided Drill Template to mark boundary and dig a rectangle hole into the wall. For open wall, skip and go to next step.



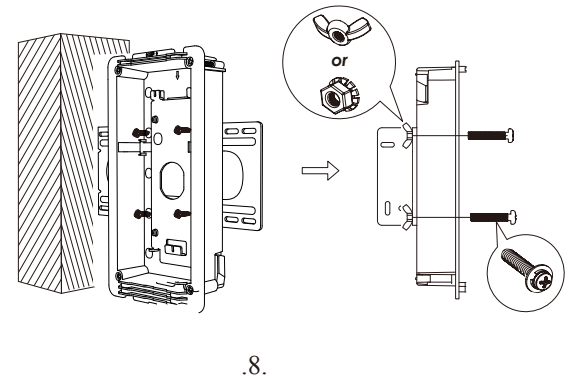
Step 2: Install the Metal Frame with short edge to the stud using the set of Anchor/Screw⁽¹⁾ provided.



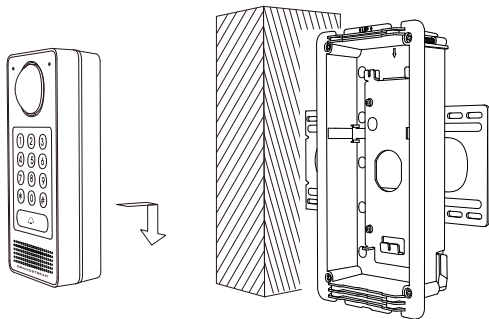
Step 3: Mount the Installation Bracket into the Plastic Box using supplied Screws⁽²⁾.



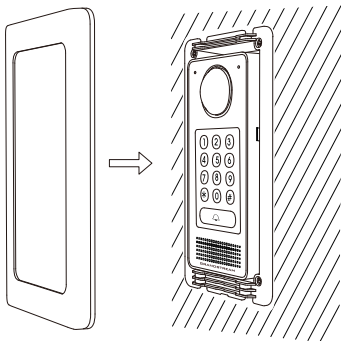
Step 4: Use provided Screws and Nuts⁽³⁾ to install the Plastic Box on the long edge of the Metal Frame. Choose either set of Nuts⁽³⁾ with convenience.



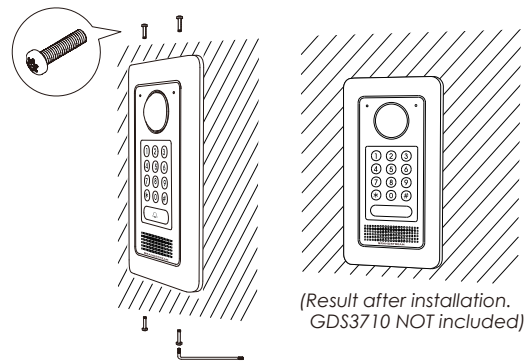
Step 5: Follow GDS3710 QIG and User Manual to connect wires to the PoE switch or PoE Injector. Connect the Electrical Lock according to its document.



Step 6: Align the bracket clips, press and push down the GDS3710 into place.



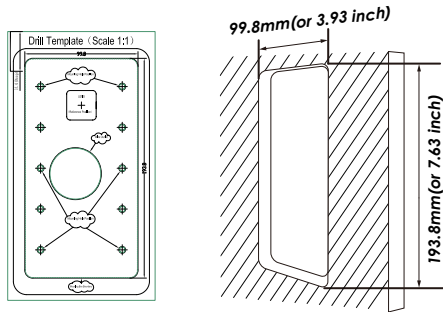
Step 7: Install the Cover Plate and fix it using the Hex Key with the Anti-Tamper Screws⁽⁵⁾ provided.



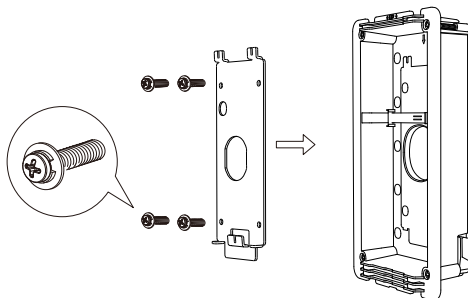
Drywall (Hollow Wall) Installation

Please follow below steps to install the device on a drywall or hollow wall. The thickness of the wall where the clamps can handle is among **6.2 ~ 24 mm (or 0.24 ~ 0.94 inch)**

Step 1: Use provided Drill Template to mark boundary then cut opening on the dry wall. **Do NOT over cut.** (wall cutting tools not provided)

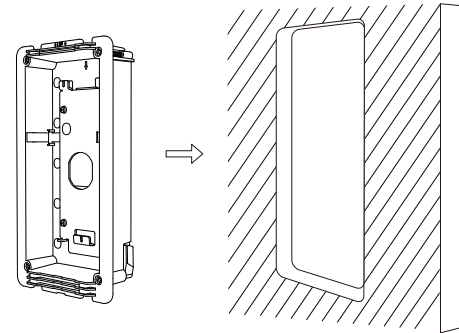


Step 2: Mount the Installation Bracket into the Plastic Box using supplied Screws⁽²⁾.

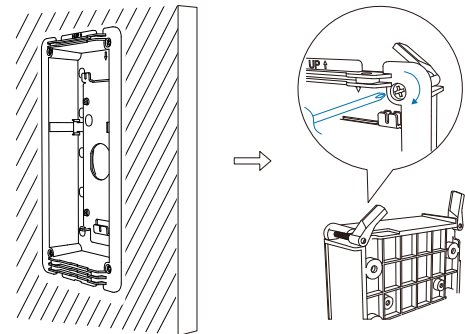


.11.

Step 3: Insert the Plastic Box into the cutted hole properly.

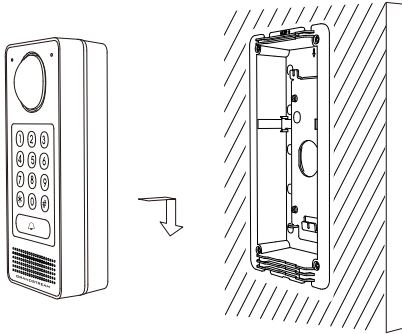


Step 4: Tighten the four clamps alternately in diagonal to mount the Plastic Box on the wall. Please do NOT over tighten to avoid damaging the wall or clamp.

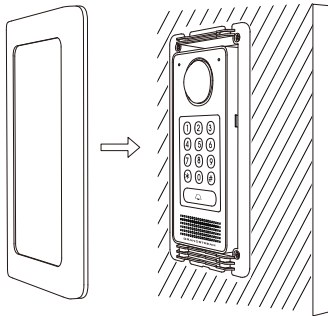


.12.

Step 5: Follow GDS3710 QIG and User Manual to connect wires to the PoE switch or PoE Injector. Connect the Electrical Lock according to its document.

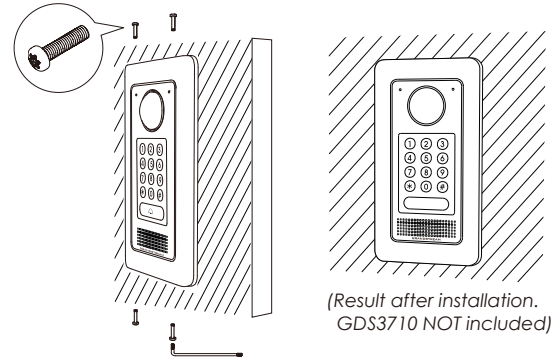


Step 6: Align the bracket clips, press and push down the GDS3710 into place.



.13.

Step 7: Install the Cover Plate and fix it using the Hex Key with the Anti-Tamper Screws⁽⁹⁾ provided.



.14.